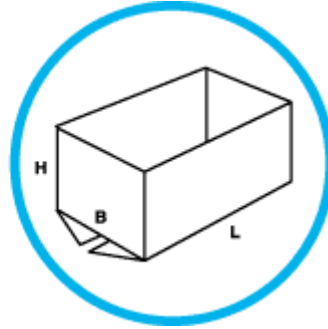
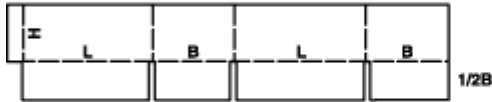


Category : 02

Slotted-type boxes consist of basically one piece with a glued, stitched or taped manufacturers joint and top and bottom flaps. They are shipped flat, ready to use and require closing using the flaps provided.

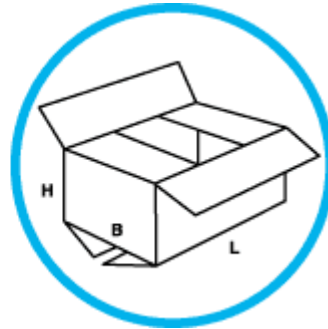
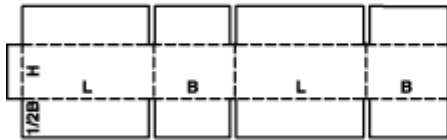
Description : 0200

Montage : M/A



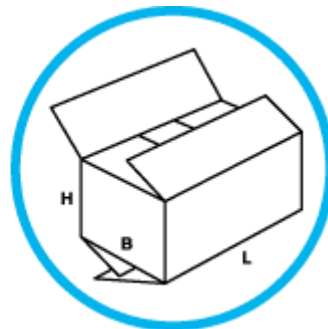
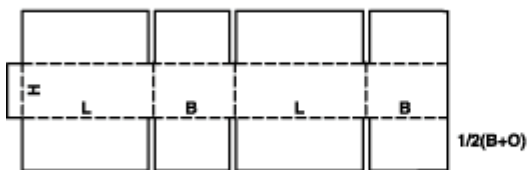
Description : 0201

Montage : M/A



Description : 0202

Montage : M/A

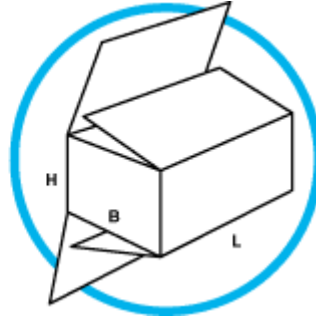
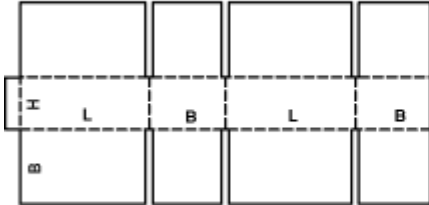


Category : 02

Slotted-type boxes consist of basically one piece with a glued, stitched or taped manufacturers joint and top and bottom flaps. They are shipped flat, ready to use and require closing using the flaps provided.

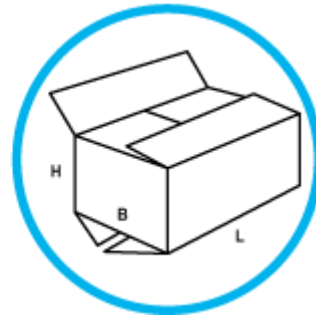
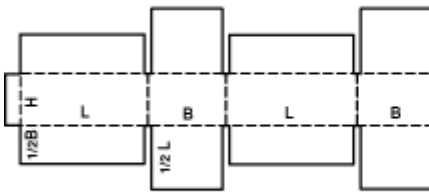
Description : 0203

Montage : M/A



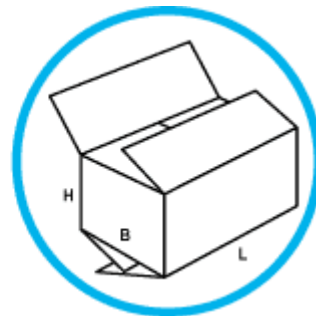
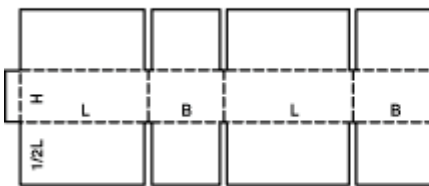
Description : 0204

Montage : M/A



Description : 0205

Montage : M/A

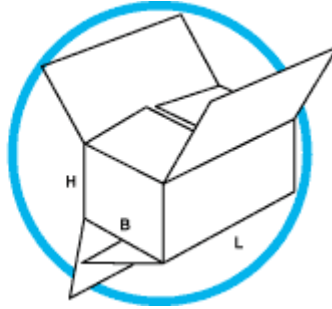
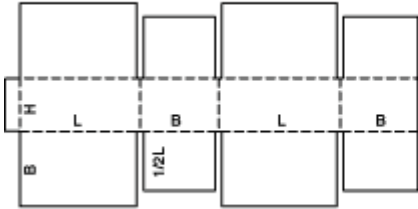


Category : 02

Slotted-type boxes consist of basically one piece with a glued, stitched or taped manufacturers joint and top and bottom flaps. They are shipped flat, ready to use and require closing using the flaps provided.

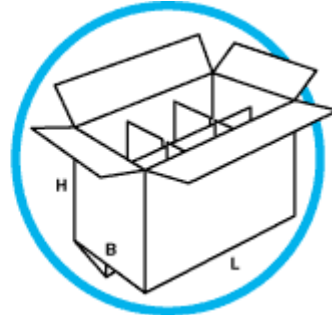
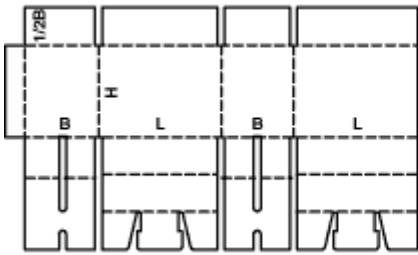
Description : 0206

Montage : M/A



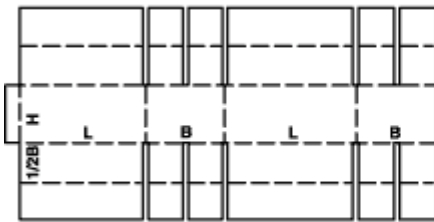
Description : 0207

Montage : M



Description : 0208

Montage : M

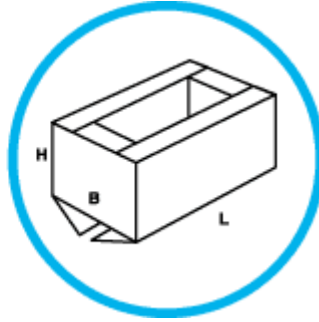
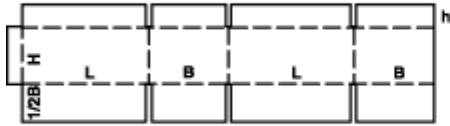


Category : 02

Slotted-type boxes consist of basically one piece with a glued, stitched or taped manufacturers joint and top and bottom flaps. They are shipped flat, ready to use and require closing using the flaps provided.

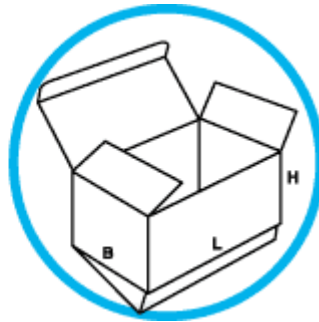
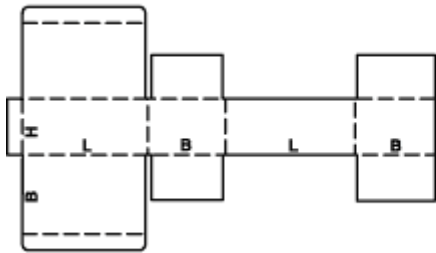
Description : 0209

Montage : M/A



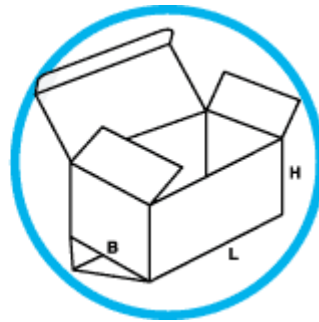
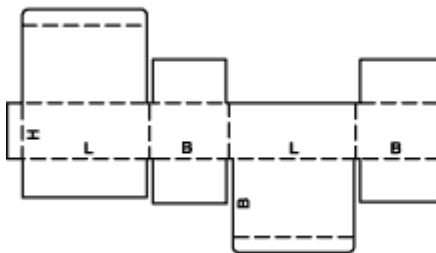
Description : 0210

Montage : M



Description : 0211

Montage : M

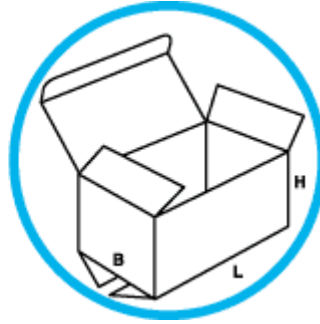
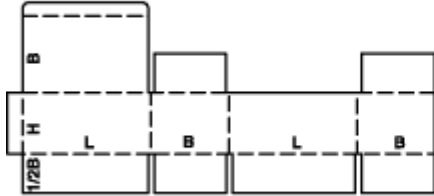


Category : 02

Slotted-type boxes consist of basically one piece with a glued, stitched or taped manufacturers joint and top and bottom flaps. They are shipped flat, ready to use and require closing using the flaps provided.

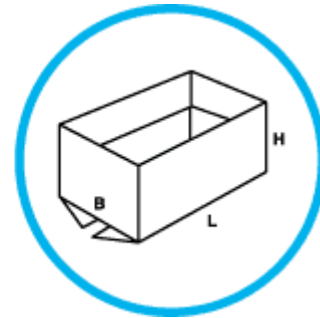
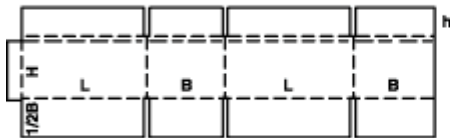
Description : 0212

Montage : M/A



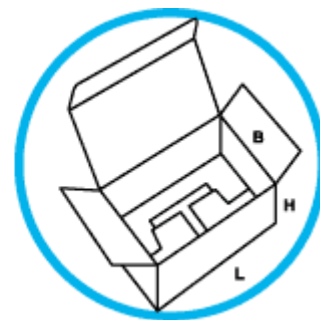
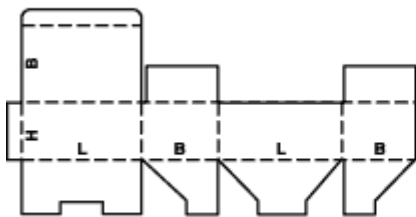
Description : 0214

Montage : M



Description : 0215

Montage : M

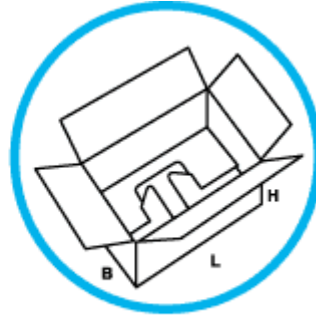
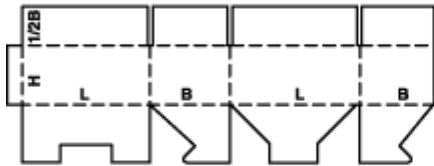


Category : 02

Slotted-type boxes consist of basically one piece with a glued, stitched or taped manufacturers joint and top and bottom flaps. They are shipped flat, ready to use and require closing using the flaps provided.

Description : 0216

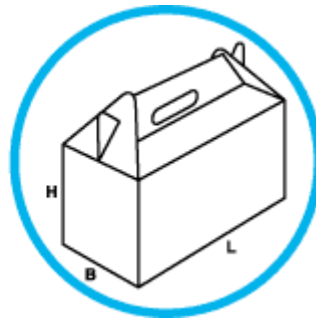
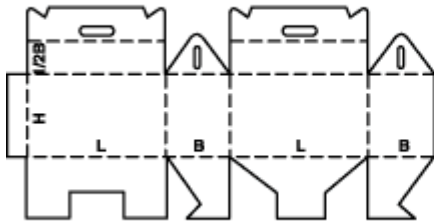
Montage : M



Closure of top can be automated
La fermeture du dessus peut être automatisée
Der verschluss des aufsatzes kann automatisiert werden

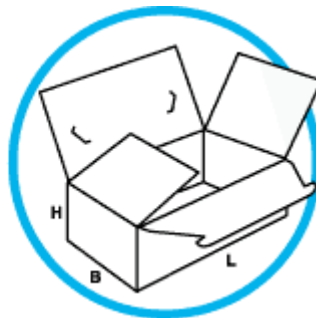
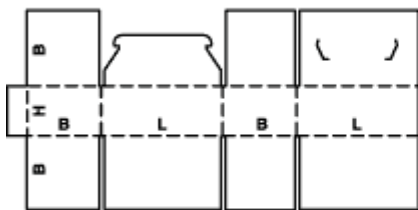
Description : 0217

Montage : M



Description : 0218

Montage : M

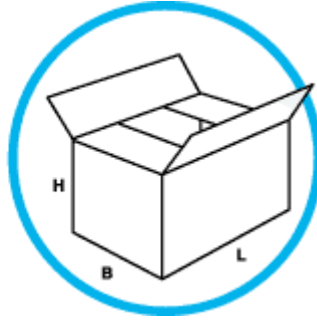
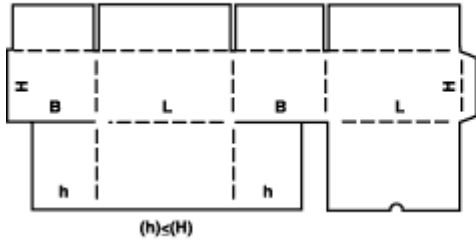


Category : 02

Slotted-type boxes consist of basically one piece with a glued, stitched or taped manufacturers joint and top and bottom flaps. They are shipped flat, ready to use and require closing using the flaps provided.

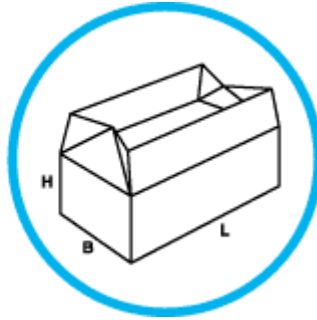
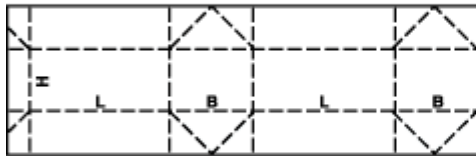
Description : 0225

Montage : M



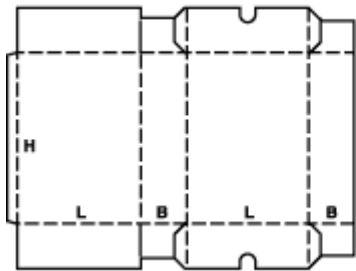
Description : 0226

Montage : M



Description : 0227

Montage : M

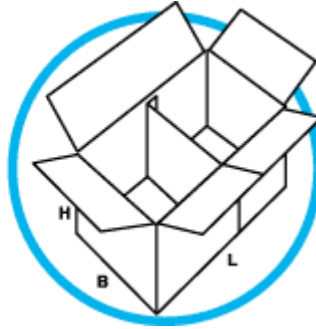
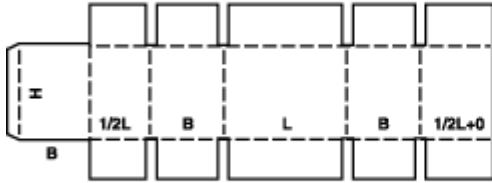


Category : 02

Slotted-type boxes consist of basically one piece with a glued, stitched or taped manufacturers joint and top and bottom flaps. They are shipped flat, ready to use and require closing using the flaps provided.

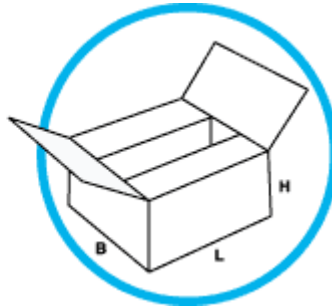
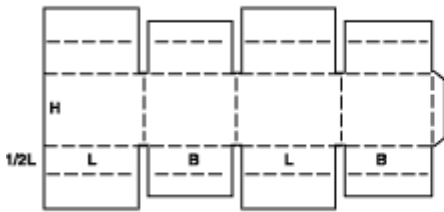
Description : 0228

Montage : M/A



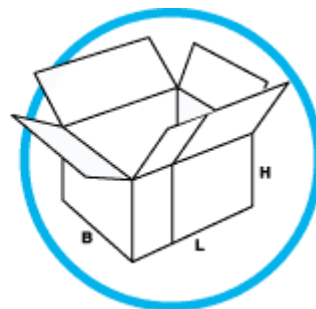
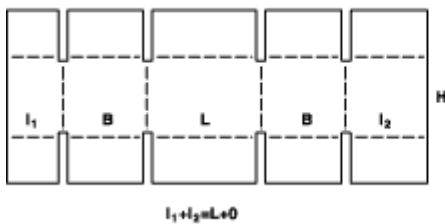
Description : 0229

Montage : M



Description : 0230

Montage : M/A

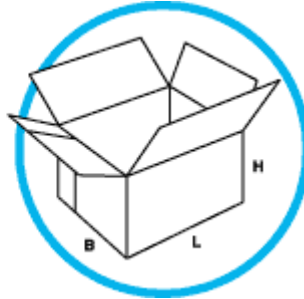
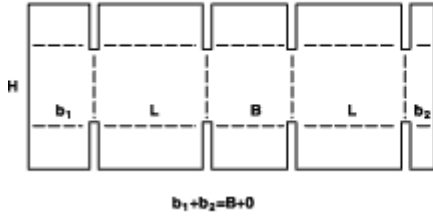


Category : 02

Slotted-type boxes consist of basically one piece with a glued, stitched or taped manufacturers joint and top and bottom flaps. They are shipped flat, ready to use and require closing using the flaps provided.

Description : 0231

Montage : M/A

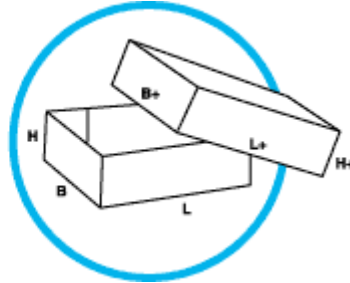
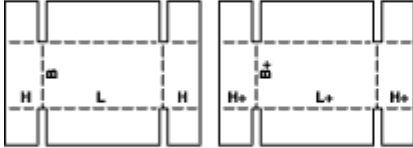


Category : 03

Telescope-type boxes consist of more than one piece and are characterised by a lid and/or bottom telescoping over the body of the box.

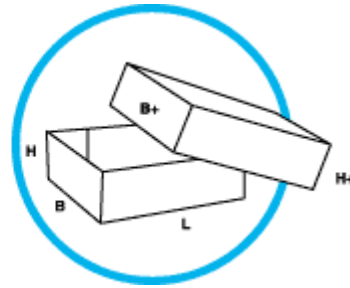
Description : 0300

Montage : M/A



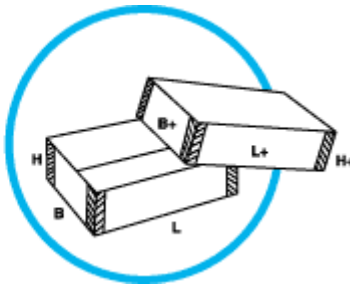
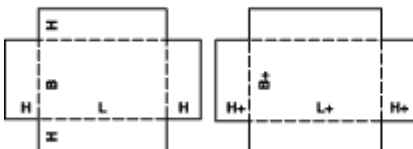
Description : 0301

Montage : M/A



Description : 0302

Montage : M

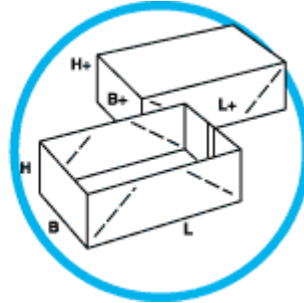
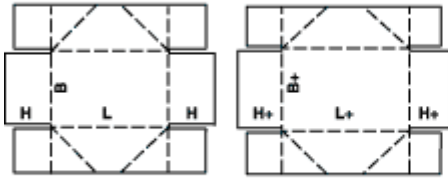


Category : 03

Telescope-type boxes consist of more than one piece and are characterised by a lid and/or bottom telescoping over the body of the box.

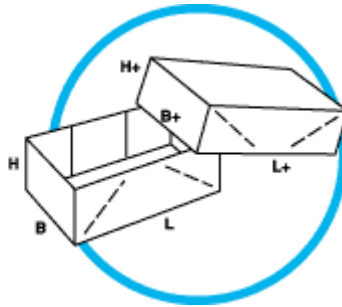
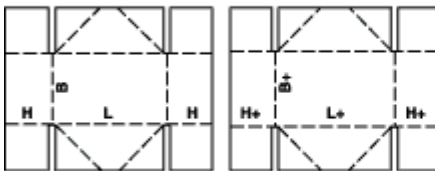
Description : 0303

Montage : M



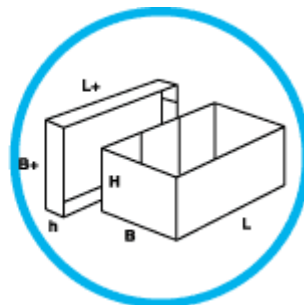
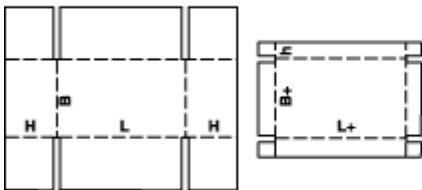
Description : 0304

Montage : M



Description : 0306

Montage : M/A

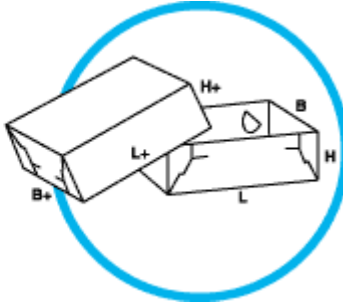
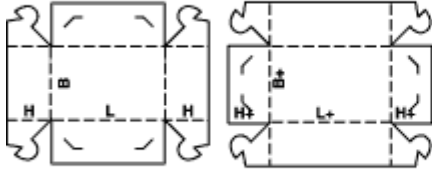


Category : 03

Telescope-type boxes consist of more than one piece and are characterised by a lid and/or bottom telescoping over the body of the box.

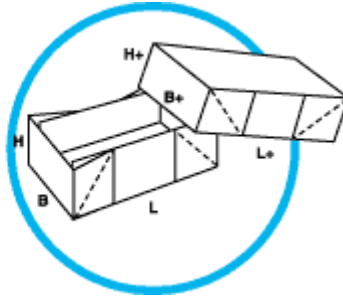
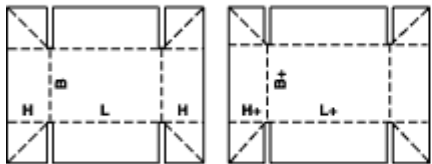
Description : 0307

Montage : M



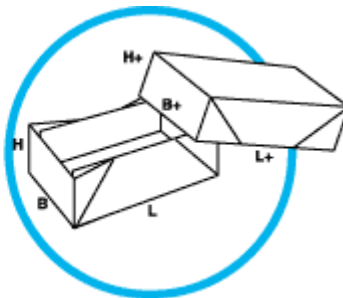
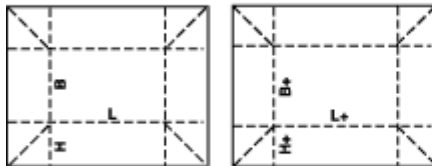
Description : 0308

Montage : M



Description : 0309

Montage : M

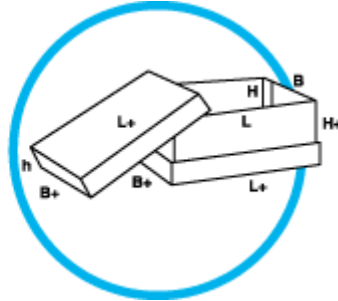
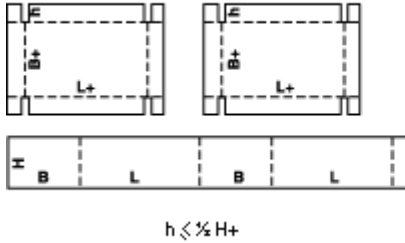


Category : 03

Telescope-type boxes consist of more than one piece and are characterised by a lid and/or bottom telescoping over the body of the box.

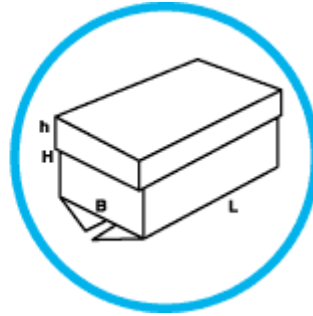
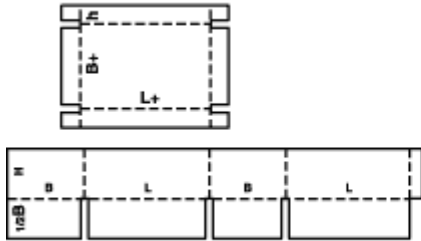
Description : 0310

Montage : M + A



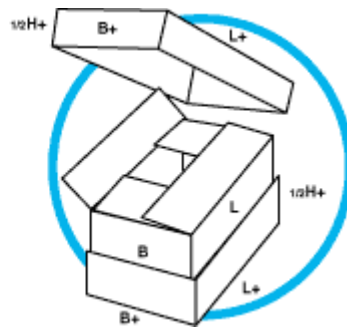
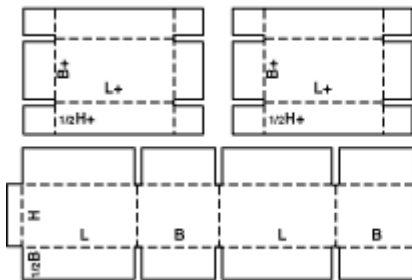
Description : 0312

Montage : M/A



Description : 0313

Montage : M/A

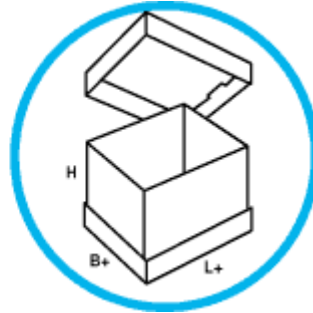
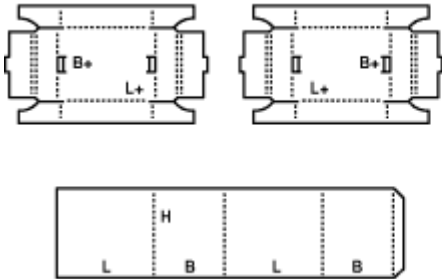


Category : 03

Telescope-type boxes consist of more than one piece and are characterised by a lid and/or bottom telescoping over the body of the box.

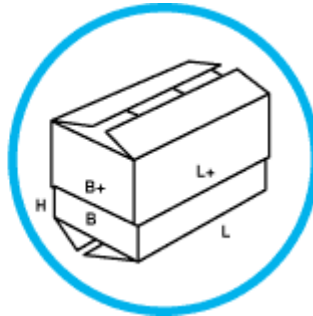
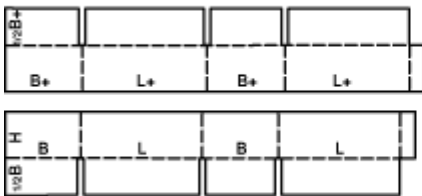
Description : 0314

Montage : M



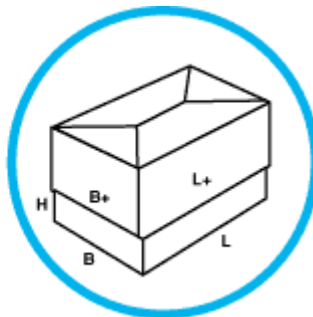
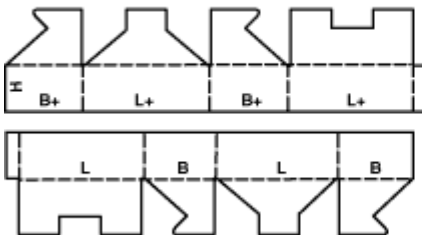
Description : 0320

Montage : M/A



Description : 0321

Montage : M

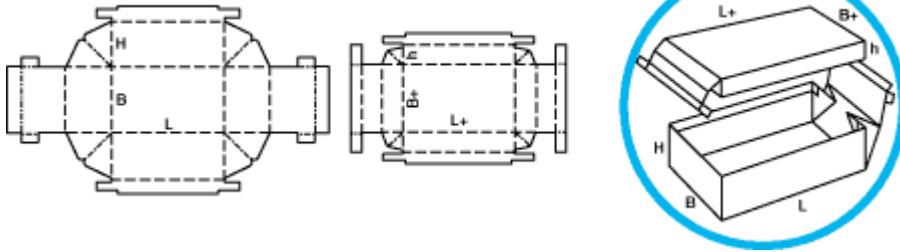


Category : 03

Telescope-type boxes consist of more than one piece and are characterised by a lid and/or bottom telescoping over the body of the box.

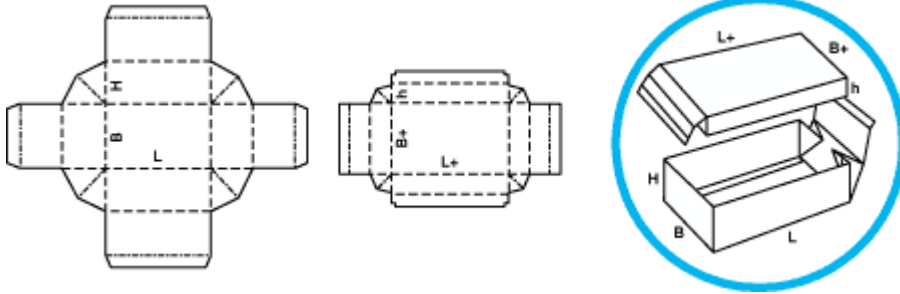
Description : 0322

Montage : M



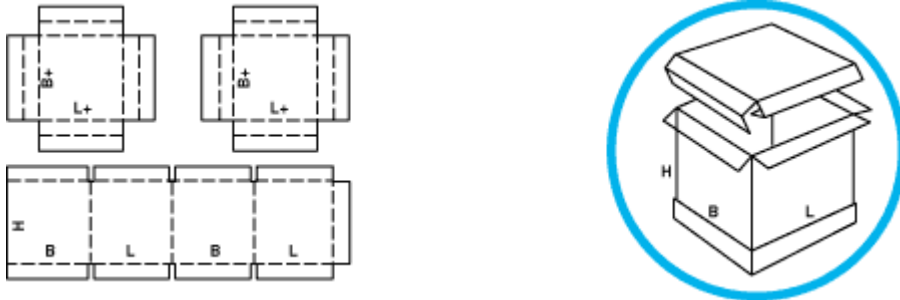
Description : 0323

Montage : M



Description : 0325

Montage : A

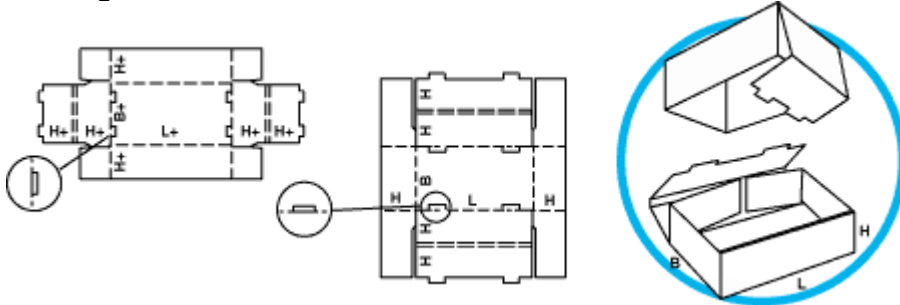


Category : 03

Telescope-type boxes consist of more than one piece and are characterised by a lid and/or bottom telescoping over the body of the box.

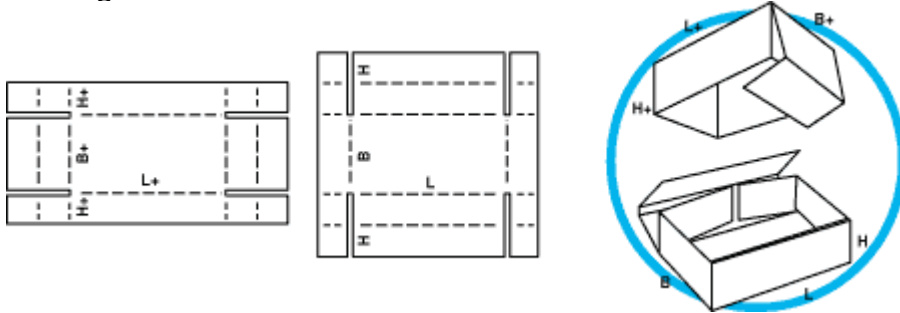
Description : 0330

Montage : M/A



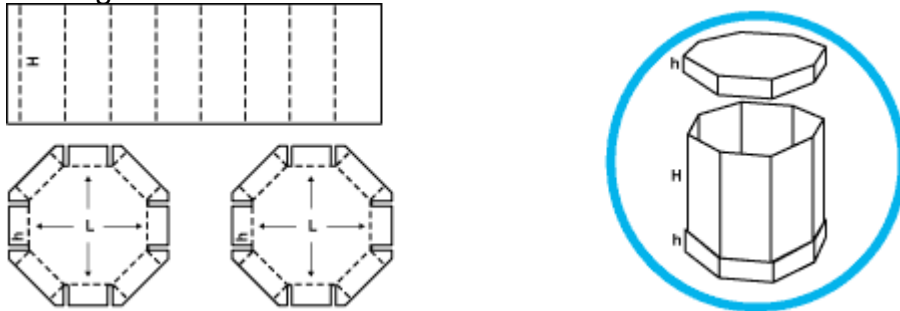
Description : 0331

Montage : M/A



Description : 0350

Montage : M

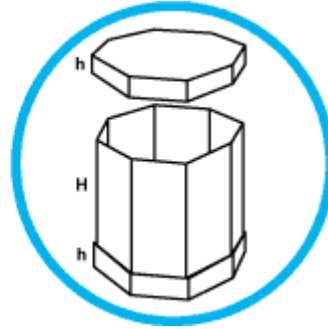
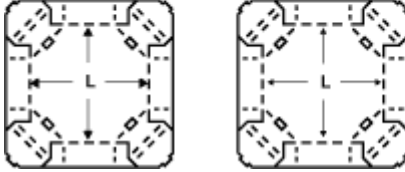


Category : 03

Telescope-type boxes consist of more than one piece and are characterised by a lid and/or bottom telescoping over the body of the box.

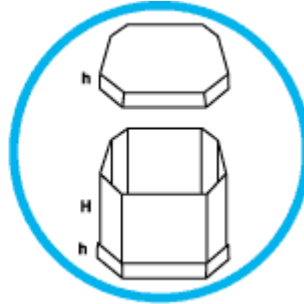
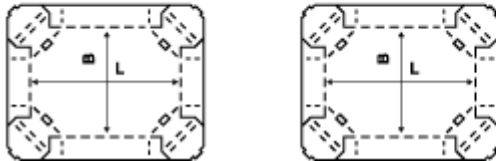
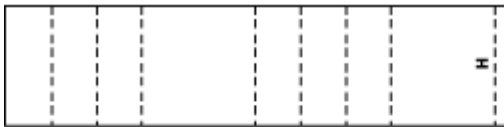
Description : 0351

Montage : M/A



Description : 0352

Montage : M/A

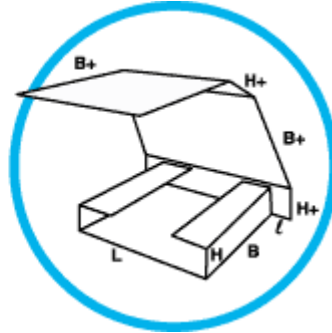
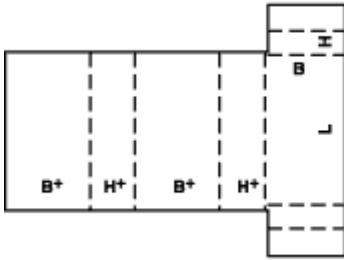


Category : 04

Folder-type boxes and trays usually consist of only one piece of board. The bottom of the box is hinged to form two or all side walls and the cover. Locking tabs, handles, display panels etc., can be incorporated in some designs.

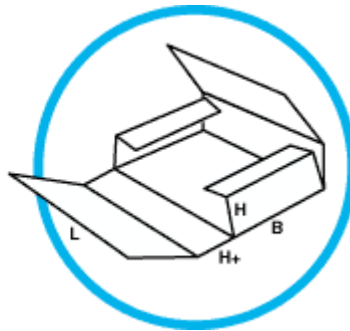
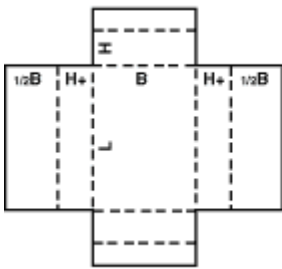
Description : 0400

Montage : M



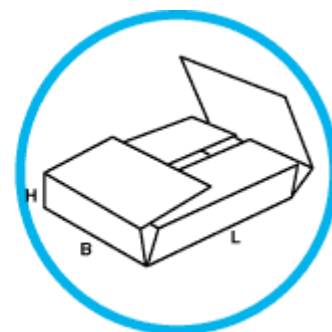
Description : 0401

Montage : M



Description : 0402

Montage : M

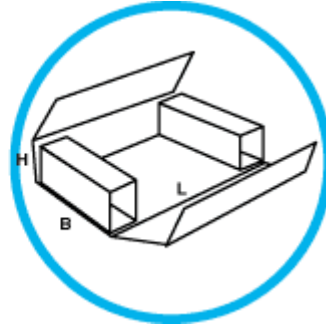
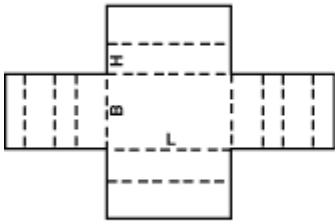


Category : 04

Folder-type boxes and trays usually consist of only one piece of board. The bottom of the box is hinged to form two or all side walls and the cover. Locking tabs, handles, display panels etc., can be incorporated in some designs.

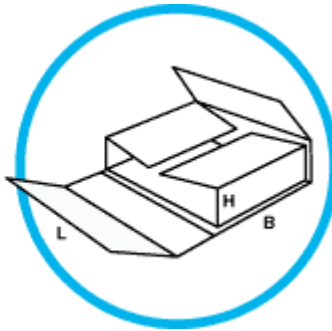
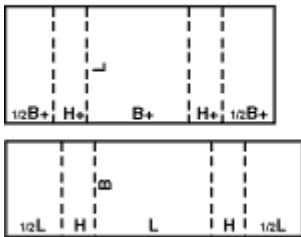
Description : 0403

Montage : M



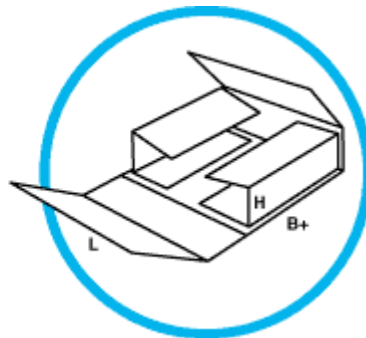
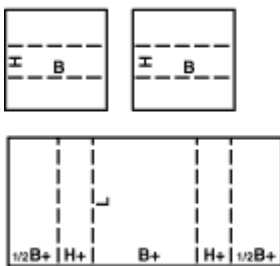
Description : 0404

Montage : M



Description : 0405

Montage : M

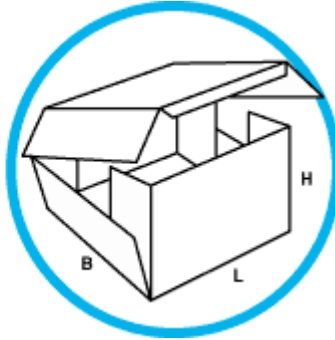
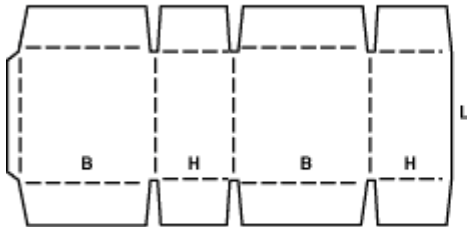


Category : 04

Folder-type boxes and trays usually consist of only one piece of board. The bottom of the box is hinged to form two or all side walls and the cover. Locking tabs, handles, display panels etc., can be incorporated in some designs.

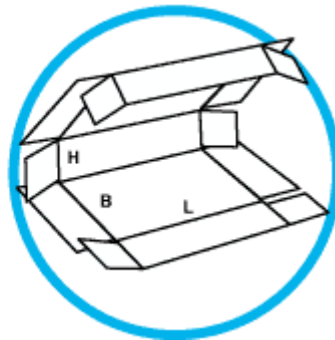
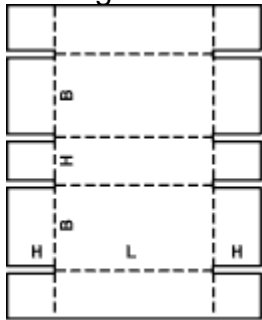
Description : 0406

Montage : A



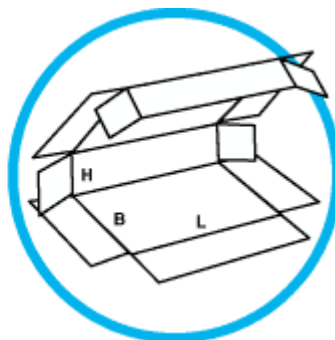
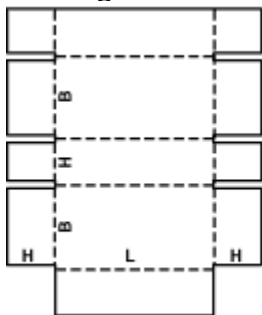
Description : 0409

Montage : M



Description : 0410

Montage : M/A

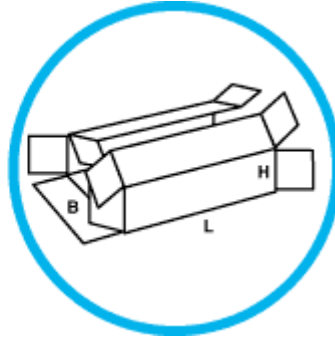
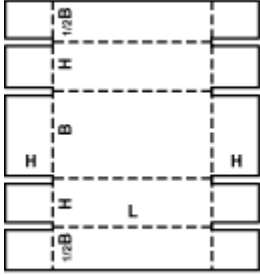


Category : 04

Folder-type boxes and trays usually consist of only one piece of board. The bottom of the box is hinged to form two or all side walls and the cover. Locking tabs, handles, display panels etc., can be incorporated in some designs.

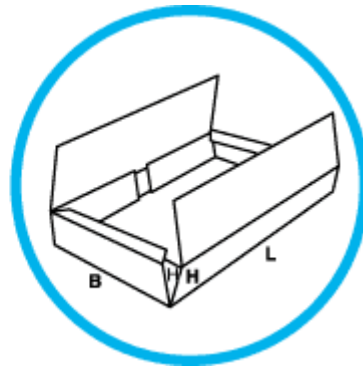
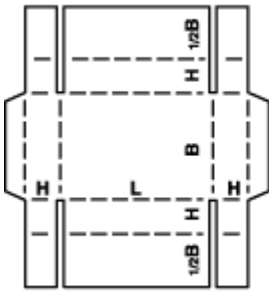
Description : 0411

Montage : M/A



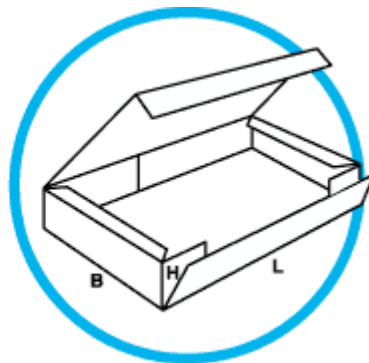
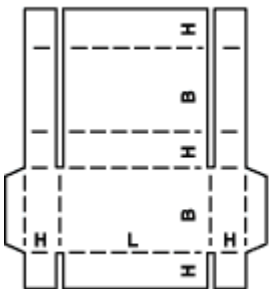
Description : 0412

Montage : M



Description : 0413

Montage : M/A

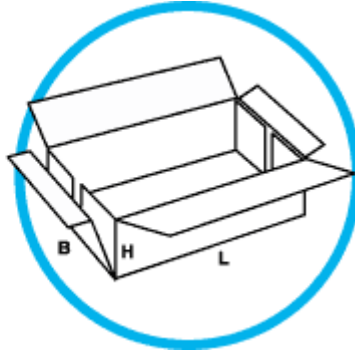
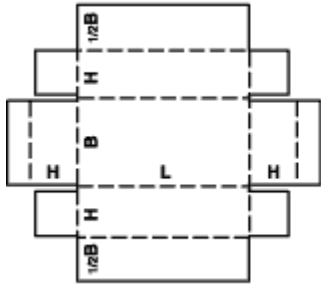


Category : 04

Folder-type boxes and trays usually consist of only one piece of board. The bottom of the box is hinged to form two or all side walls and the cover. Locking tabs, handles, display panels etc., can be incorporated in some designs.

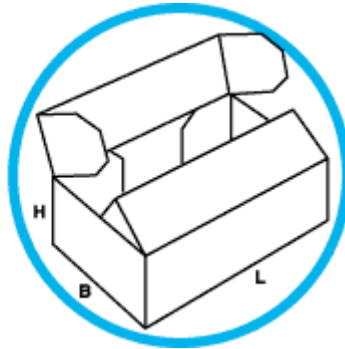
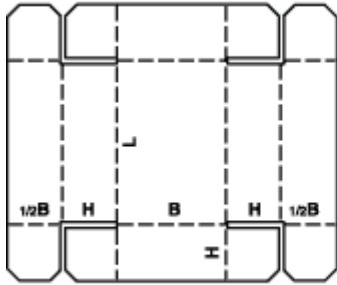
Description : 0415

Montage : M/A



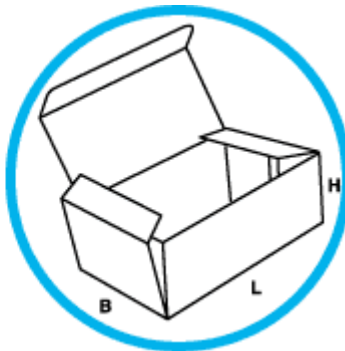
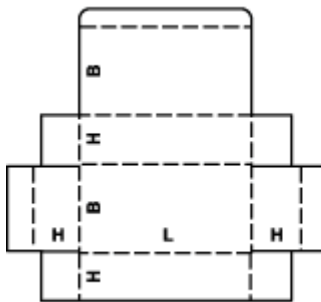
Description : 0416

Montage : M



Description : 0420

Montage : M/A

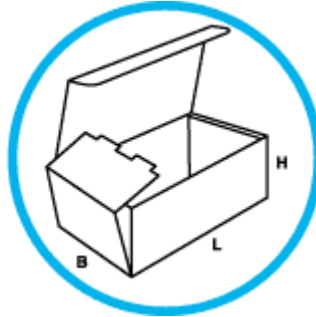
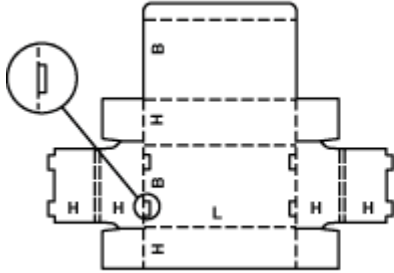


Category : 04

Folder-type boxes and trays usually consist of only one piece of board. The bottom of the box is hinged to form two or all side walls and the cover. Locking tabs, handles, display panels etc., can be incorporated in some designs.

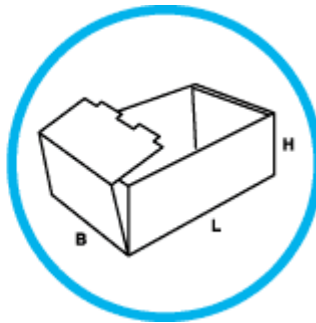
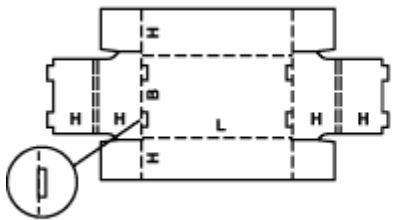
Description : 0421

Montage : M/A



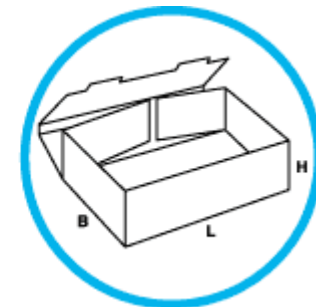
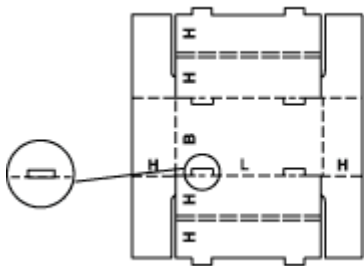
Description : 0422

Montage : M/A



Description : 0423

Montage : M/A

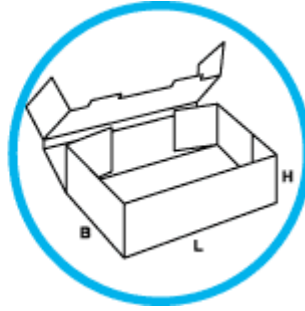
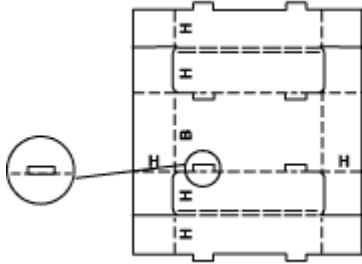


Category : 04

Folder-type boxes and trays usually consist of only one piece of board. The bottom of the box is hinged to form two or all side walls and the cover. Locking tabs, handles, display panels etc., can be incorporated in some designs.

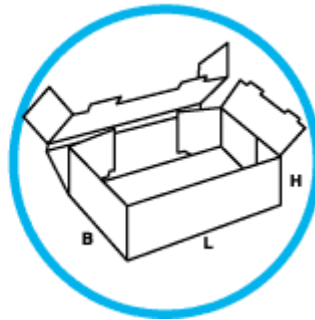
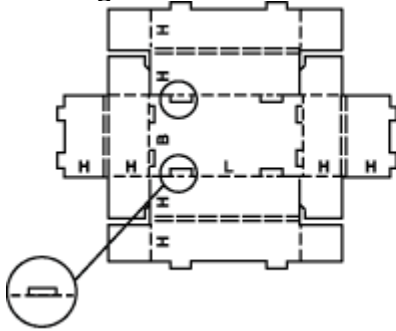
Description : 0424

Montage : M/A



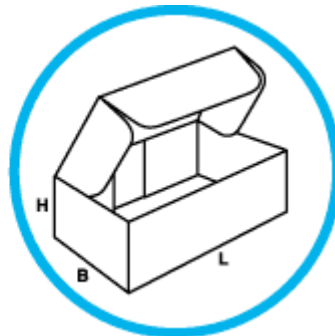
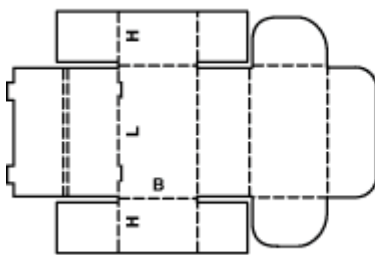
Description : 0425

Montage : M/A



Description : 0426

Montage : M

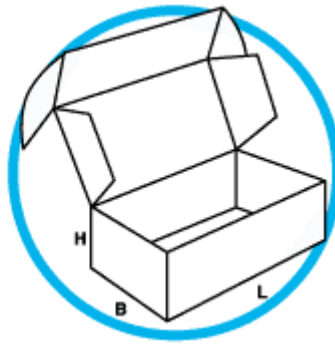
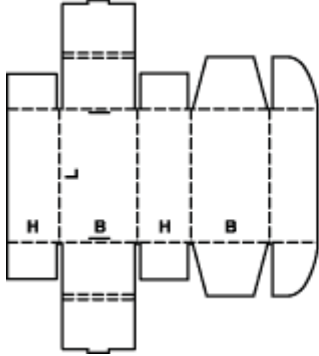


Category : 04

Folder-type boxes and trays usually consist of only one piece of board. The bottom of the box is hinged to form two or all side walls and the cover. Locking tabs, handles, display panels etc., can be incorporated in some designs.

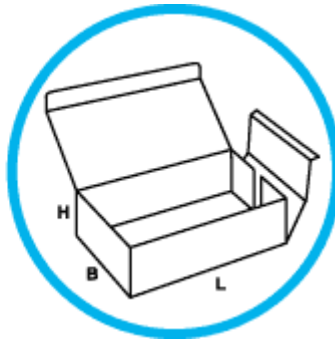
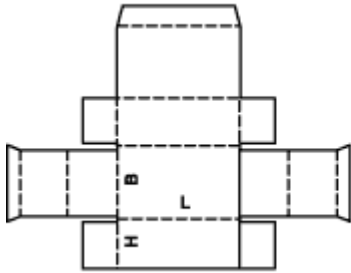
Description : 0427

Montage : M



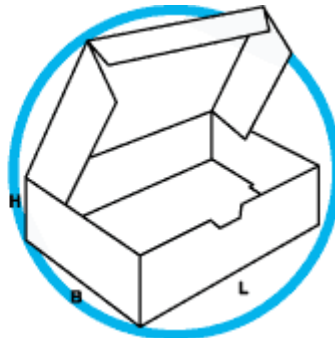
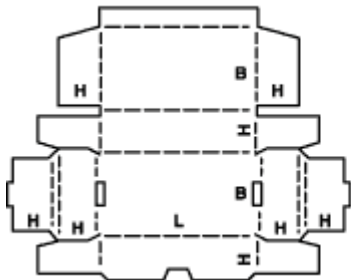
Description : 0428

Montage : M



Description : 0429

Montage : M

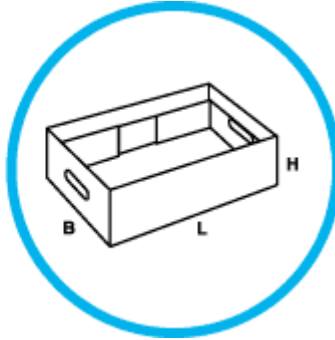
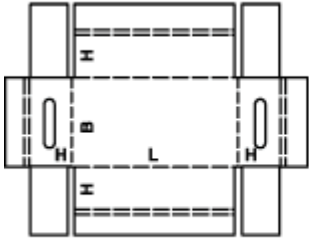


Category : 04

Folder-type boxes and trays usually consist of only one piece of board. The bottom of the box is hinged to form two or all side walls and the cover. Locking tabs, handles, display panels etc., can be incorporated in some designs.

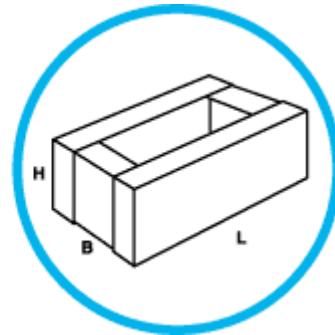
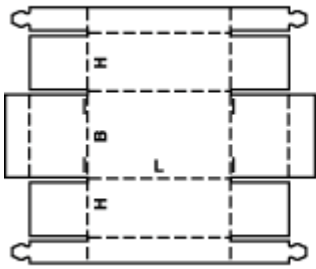
Description : 0430

Montage : M/A



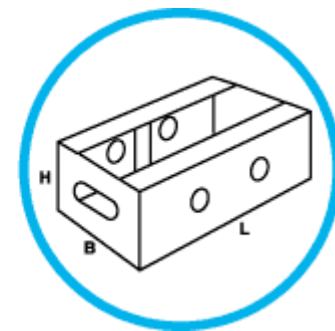
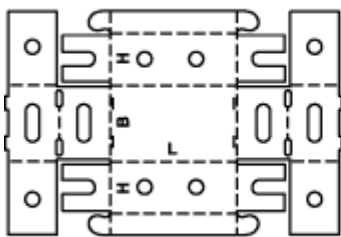
Description : 0431

Montage : M



Description : 0432

Montage : M

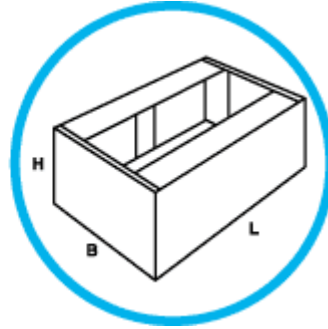
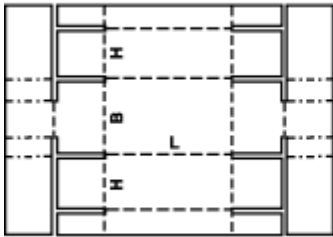


Category : 04

Folder-type boxes and trays usually consist of only one piece of board. The bottom of the box is hinged to form two or all side walls and the cover. Locking tabs, handles, display panels etc., can be incorporated in some designs.

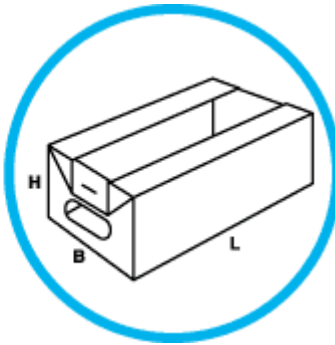
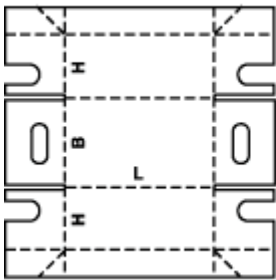
Description : 0433

Montage : M



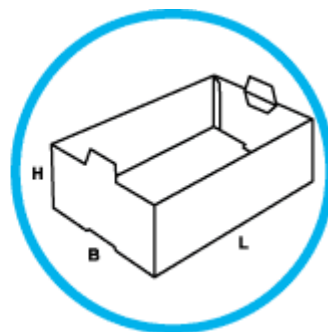
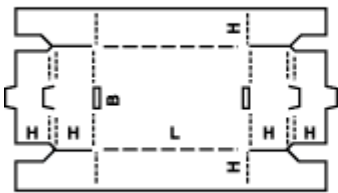
Description : 0434

Montage : M



Description : 0435

Montage : M/A

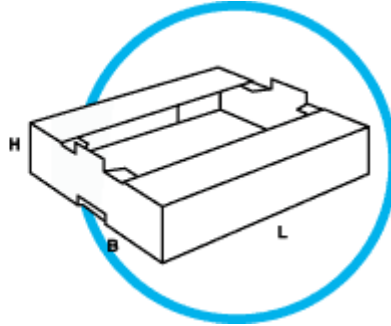
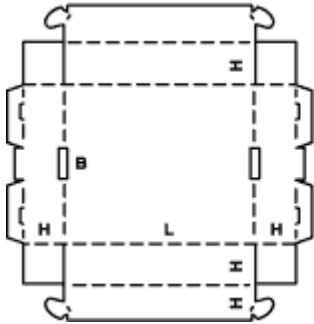


Category : 04

Folder-type boxes and trays usually consist of only one piece of board. The bottom of the box is hinged to form two or all side walls and the cover. Locking tabs, handles, display panels etc., can be incorporated in some designs.

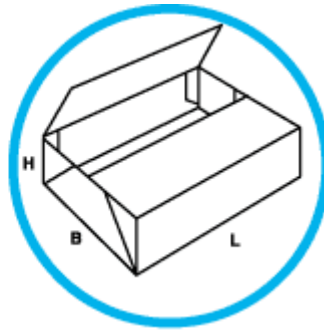
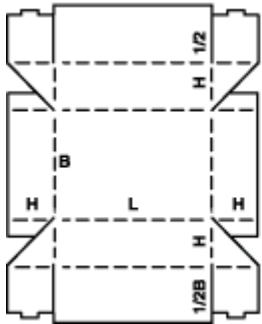
Description : 0436

Montage : M



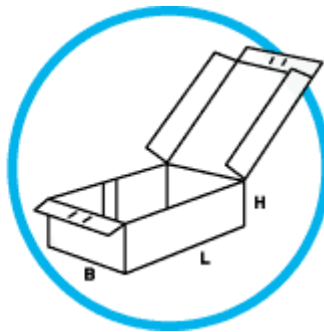
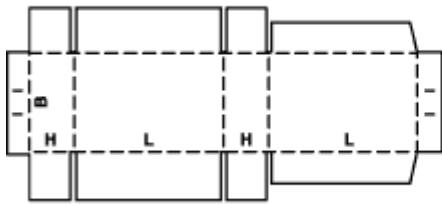
Description : 0437

Montage : M



Description : 0440

Montage : A

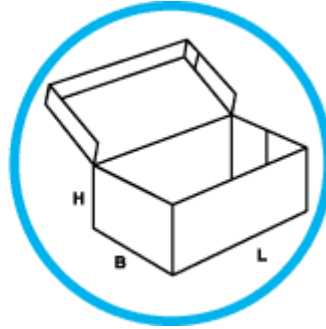
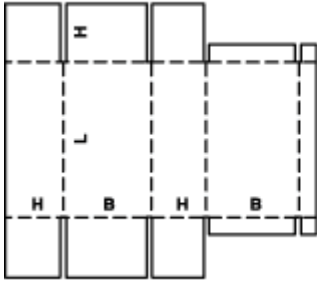


Category : 04

Folder-type boxes and trays usually consist of only one piece of board. The bottom of the box is hinged to form two or all side walls and the cover. Locking tabs, handles, display panels etc., can be incorporated in some designs.

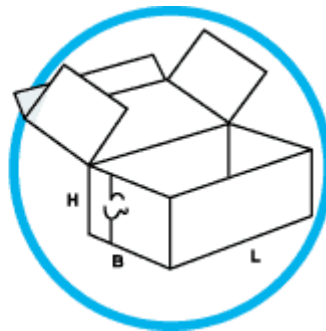
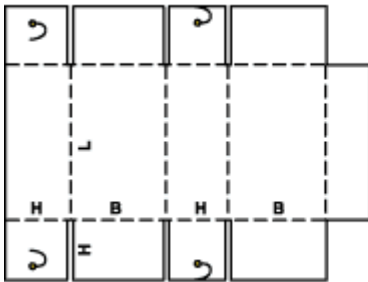
Description : 0441

Montage : A



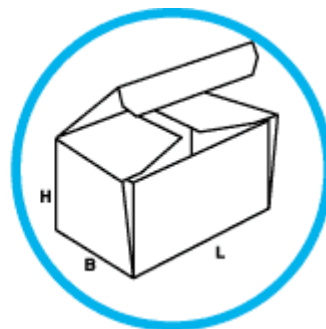
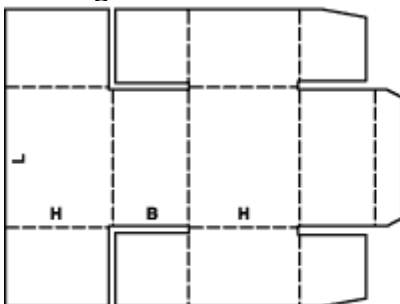
Description : 0442

Montage : M



Description : 0443

Montage : M

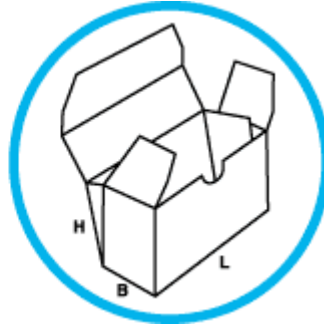
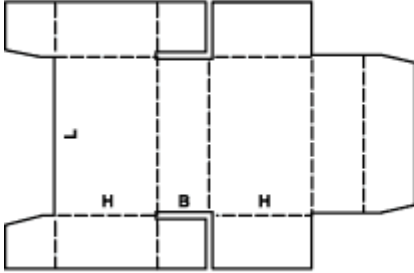


Category : 04

Folder-type boxes and trays usually consist of only one piece of board. The bottom of the box is hinged to form two or all side walls and the cover. Locking tabs, handles, display panels etc., can be incorporated in some designs.

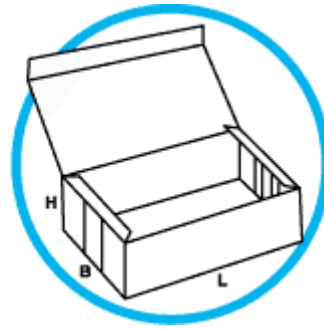
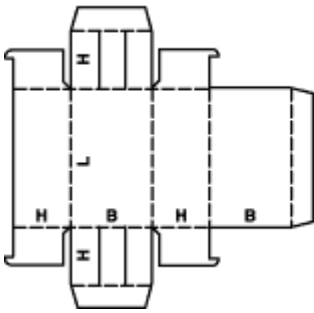
Description : 0444

Montage : M



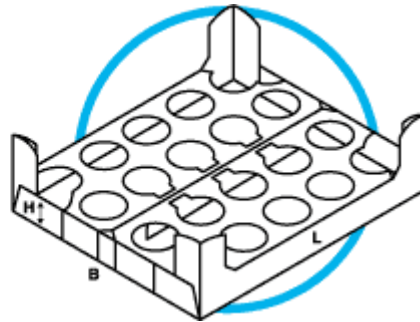
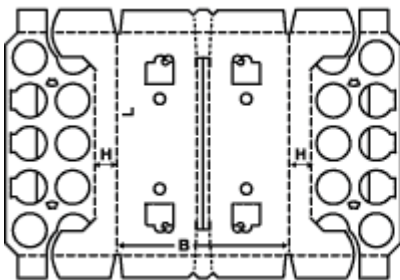
Description : 0445

Montage : M



Description : 0446

Montage : A

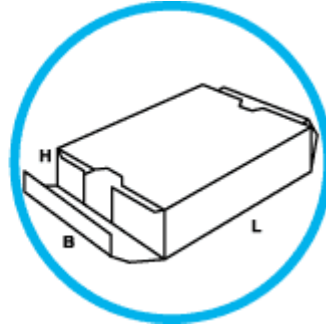
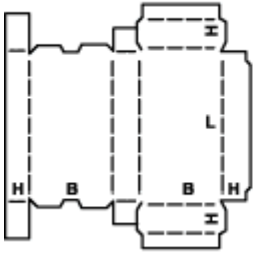


Category : 04

Folder-type boxes and trays usually consist of only one piece of board. The bottom of the box is hinged to form two or all side walls and the cover. Locking tabs, handles, display panels etc., can be incorporated in some designs.

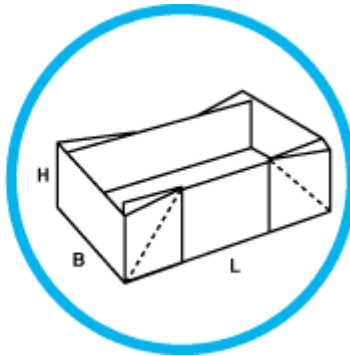
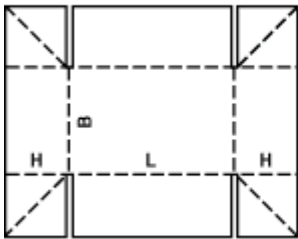
Description : 0447

Montage : M



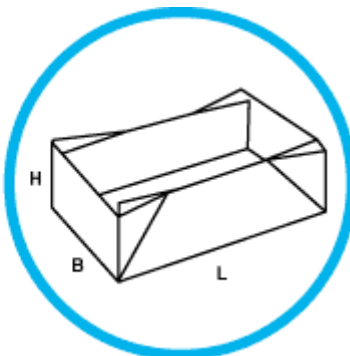
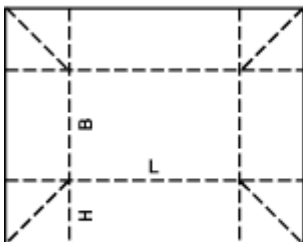
Description : 0448

Montage : M



Description : 0449

Montage : M

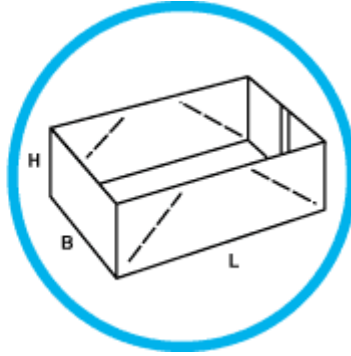
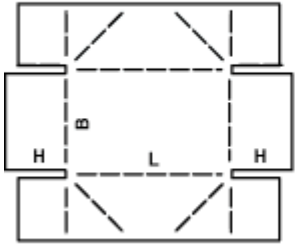


Category : 04

Folder-type boxes and trays usually consist of only one piece of board. The bottom of the box is hinged to form two or all side walls and the cover. Locking tabs, handles, display panels etc., can be incorporated in some designs.

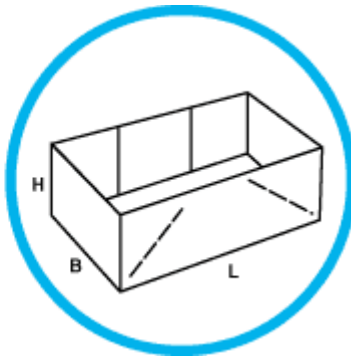
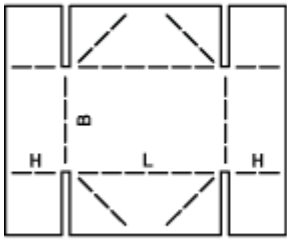
Description : 0450

Montage : M



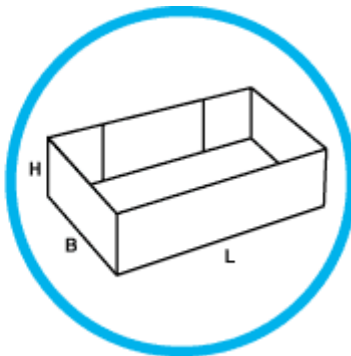
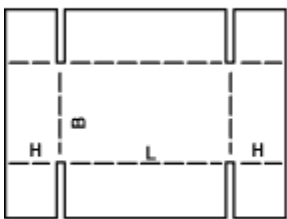
Description : 0451

Montage : M



Description : 0452

Montage : A

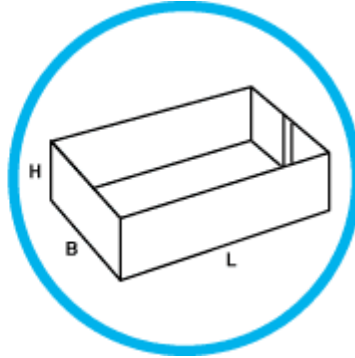
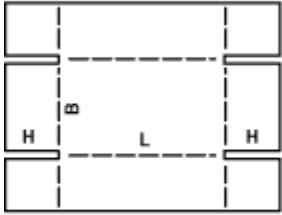


Category : 04

Folder-type boxes and trays usually consist of only one piece of board. The bottom of the box is hinged to form two or all side walls and the cover. Locking tabs, handles, display panels etc., can be incorporated in some designs.

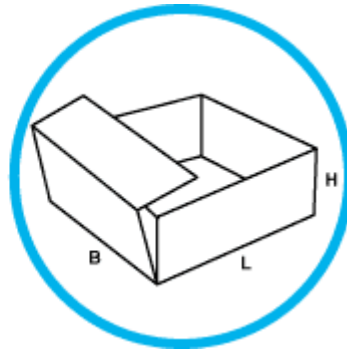
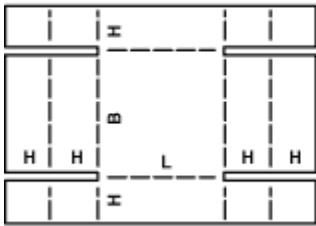
Description : 0453

Montage : A



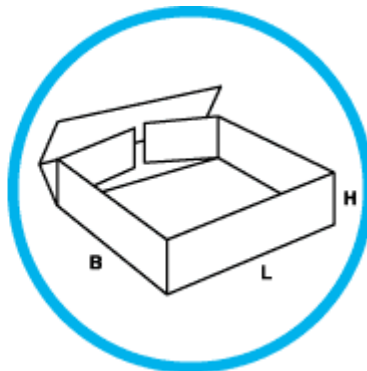
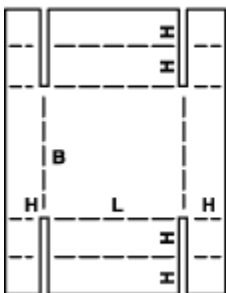
Description : 0454

Montage : M



Description : 0455

Montage : M

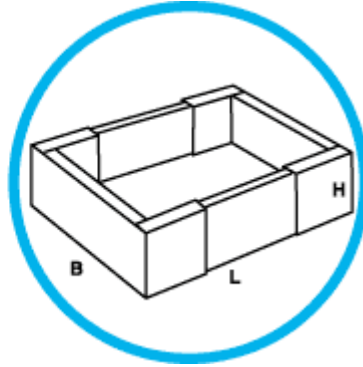
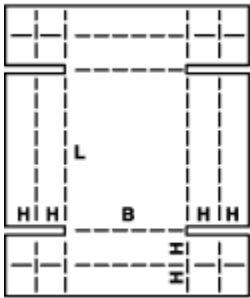


Category : 04

Folder-type boxes and trays usually consist of only one piece of board. The bottom of the box is hinged to form two or all side walls and the cover. Locking tabs, handles, display panels etc., can be incorporated in some designs.

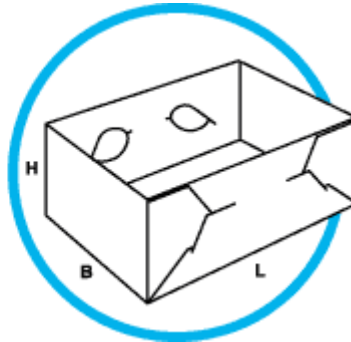
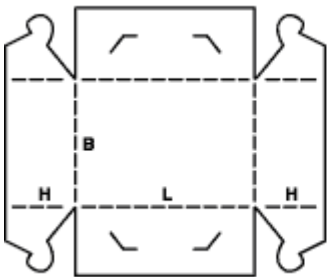
Description : 0456

Montage : M



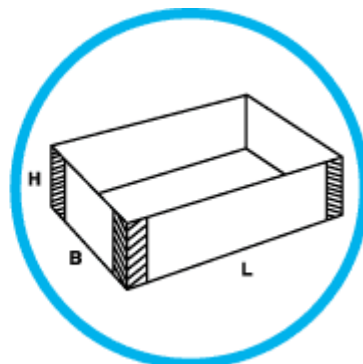
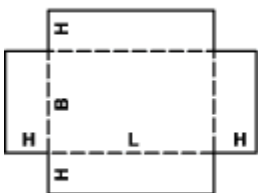
Description : 0457

Montage : M



Description : 0458

Montage : M

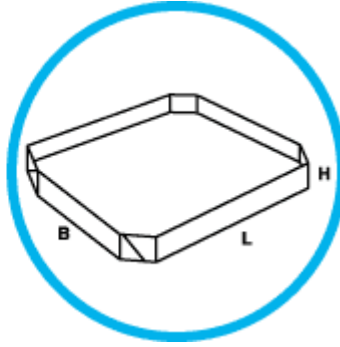
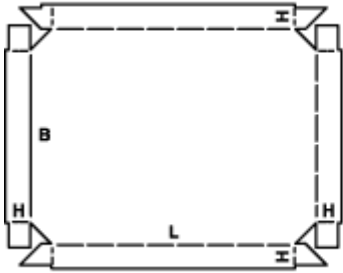


Category : 04

Folder-type boxes and trays usually consist of only one piece of board. The bottom of the box is hinged to form two or all side walls and the cover. Locking tabs, handles, display panels etc., can be incorporated in some designs.

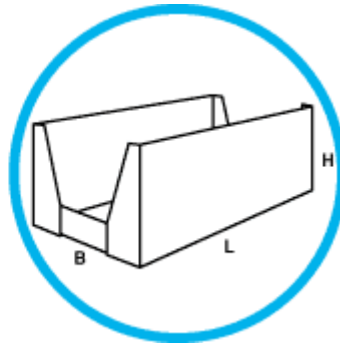
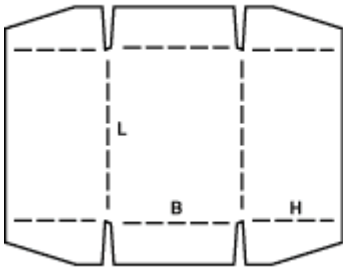
Description : 0459

Montage : A



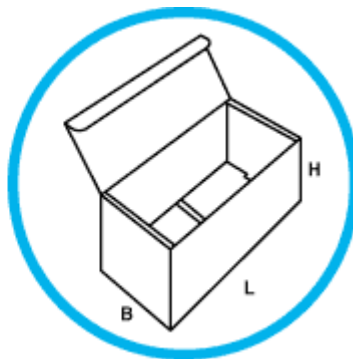
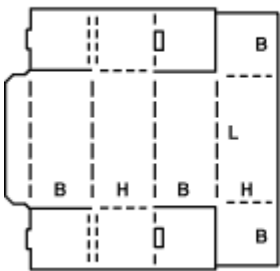
Description : 0460

Montage : A



Description : 0470

Montage : M

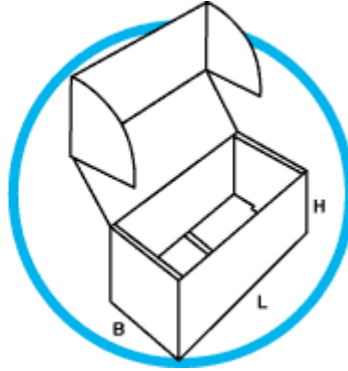
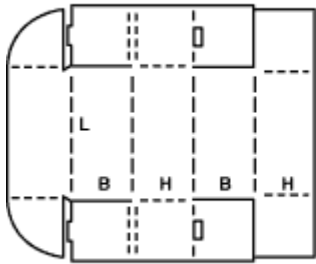


Category : 04

Folder-type boxes and trays usually consist of only one piece of board. The bottom of the box is hinged to form two or all side walls and the cover. Locking tabs, handles, display panels etc., can be incorporated in some designs.

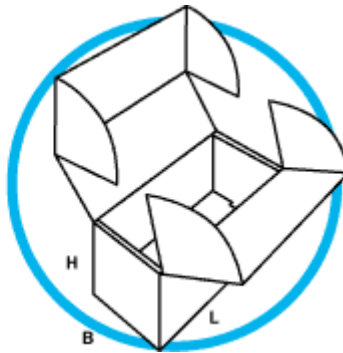
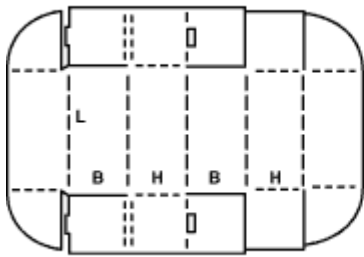
Description : 0471

Montage : M



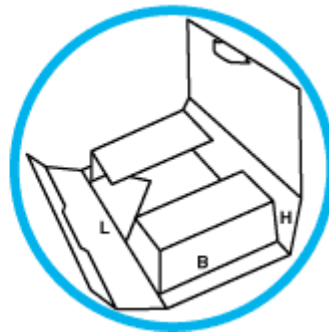
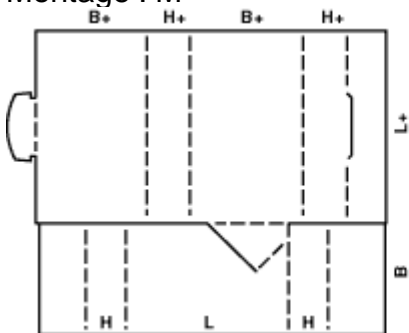
Description : 0472

Montage : M



Description : 0473

Montage : M

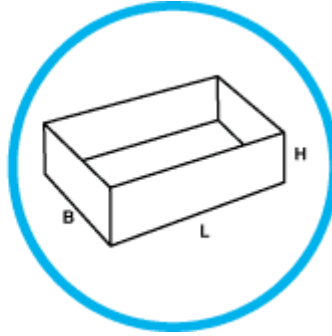
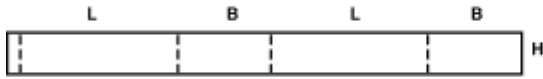


Category : 05

Slide-type boxes consist of several pieces of liners and sleeves sliding in different directions into each other. This group also includes outside sleeves for other cases.

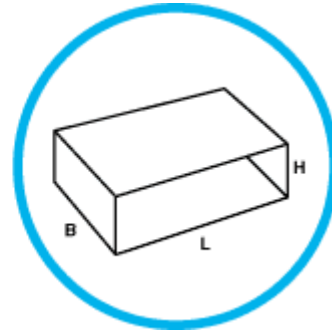
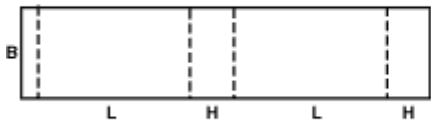
Description : 0501

Montage : M



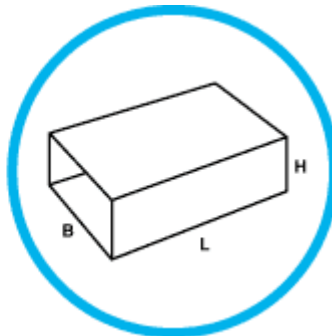
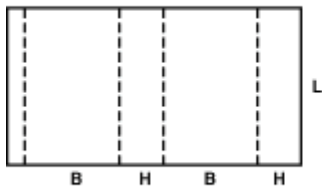
Description : 0502

Montage : M



Description : 0503

Montage : M

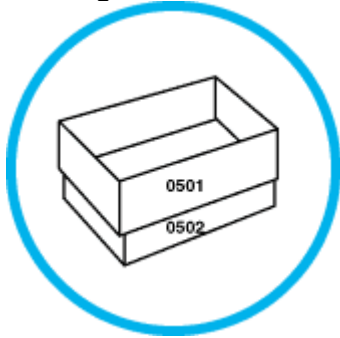


Category : 05

Slide-type boxes consist of several pieces of liners and sleeves sliding in different directions into each other. This group also includes outside sleeves for other cases.

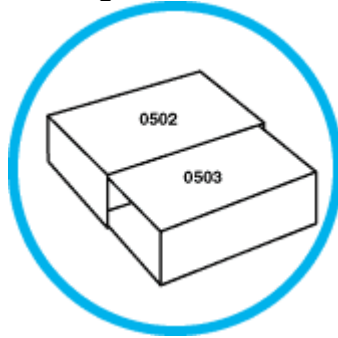
Description : 0504

Montage : M



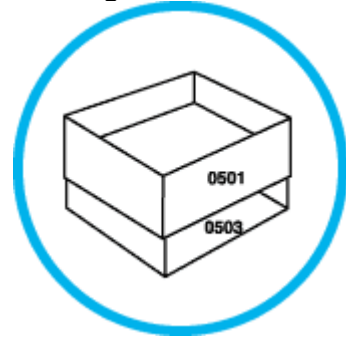
Description : 0505

Montage : M



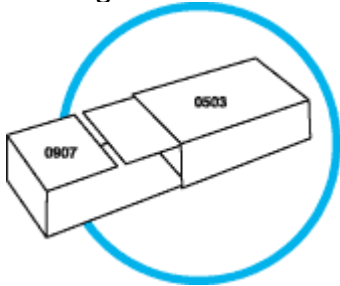
Description : 0507

Montage : M



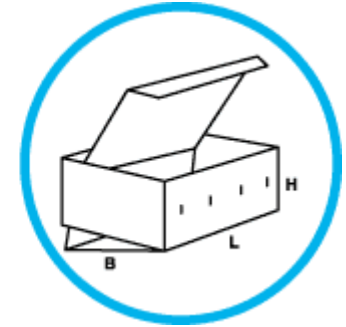
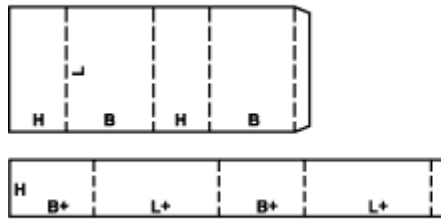
Description : 0509

Montage : M



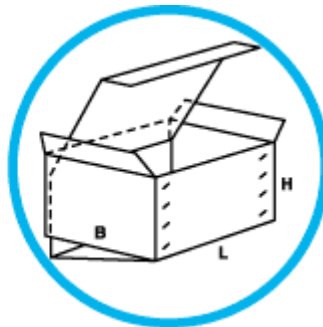
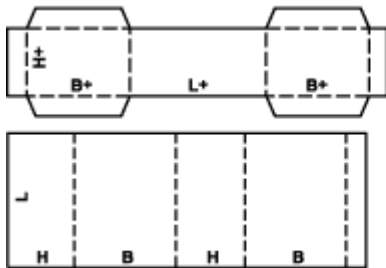
Description : 0510

Montage : M



Description : 0511

Montage : M

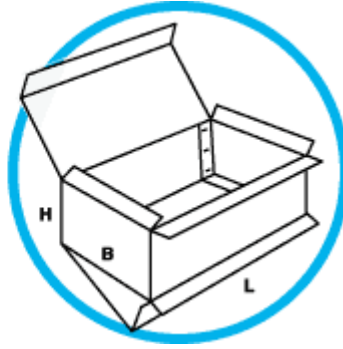
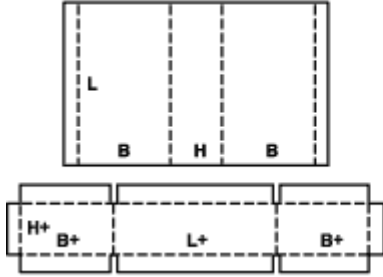


Category : 05

Slide-type boxes consist of several pieces of liners and sleeves sliding in different directions into each other. This group also includes outside sleeves for other cases.

Description : 0512

Montage : M

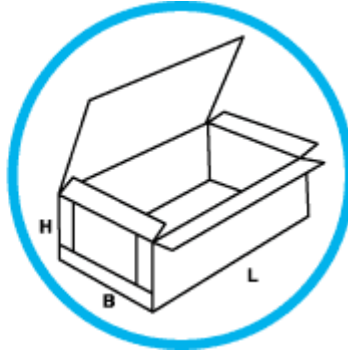
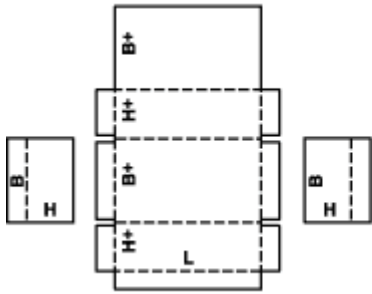


Category : 06

Rigid-type boxes consist of two separate end pieces and a body and require stitching or a similar operation before they can be used.

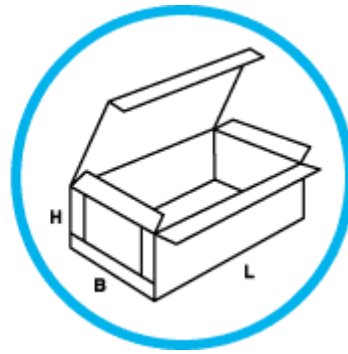
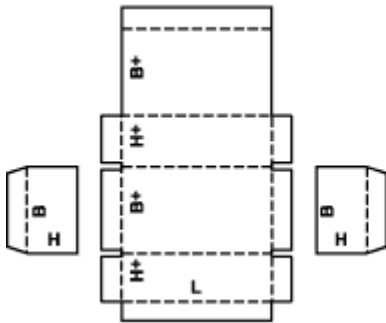
Description : 0601

Montage : A



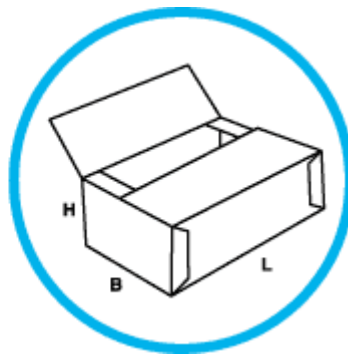
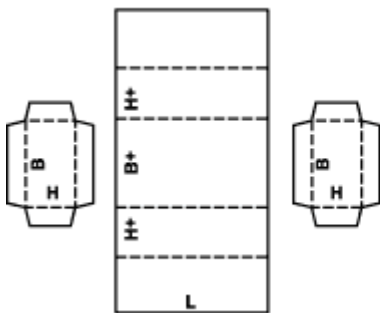
Description : 0602

Montage : A



Description : 0605

Montage : A

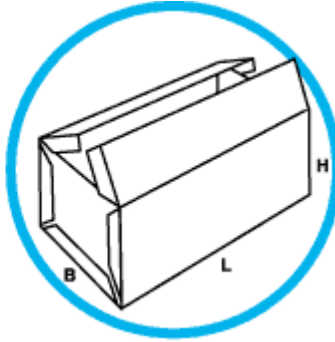
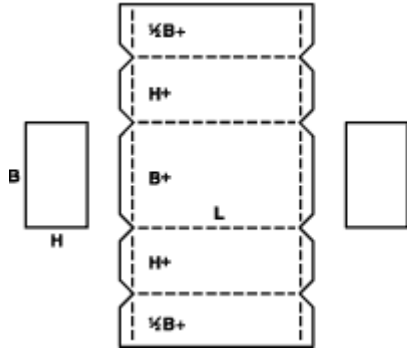


Category : 06

Rigid-type boxes consist of two separate end pieces and a body and require stitching or a similar operation before they can be used.

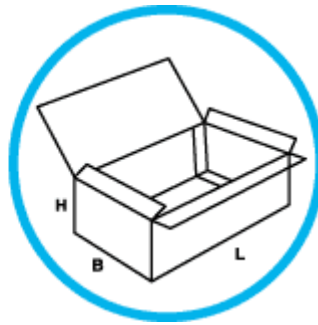
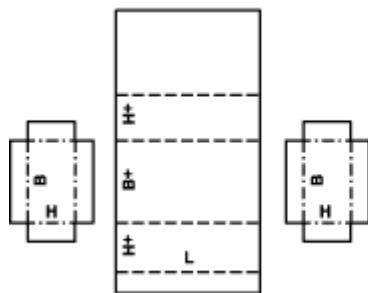
Description : 0606

Montage : A



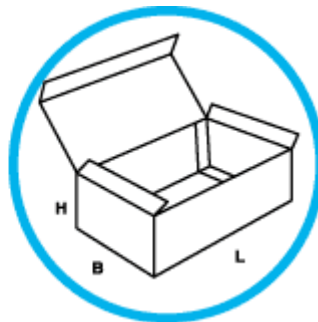
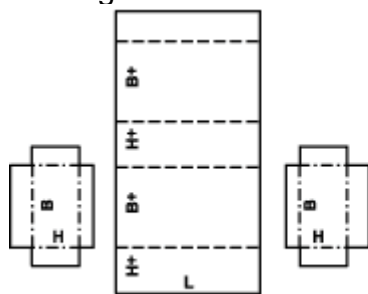
Description : 0607

Montage : A



Description : 0608

Montage : A

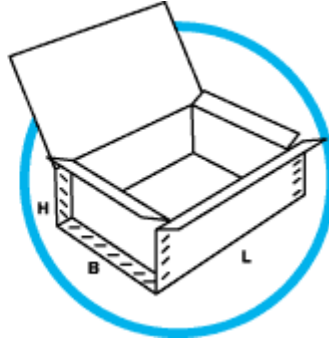
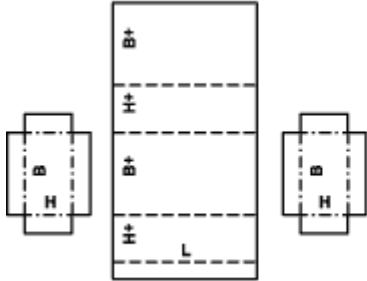


Category : 06

Rigid-type boxes consist of two separate end pieces and a body and require stitching or a similar operation before they can be used.

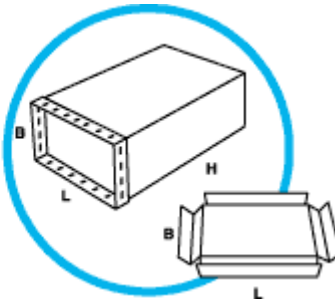
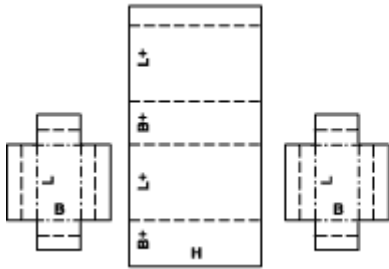
Description : 0610

Montage : M/A



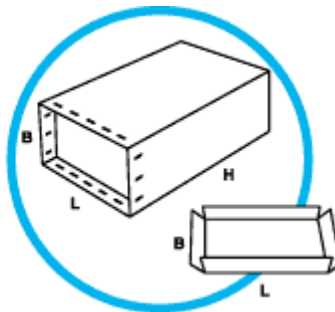
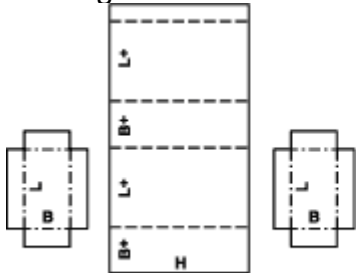
Description : 0615

Montage : M/A



Description : 0616

Montage : M/A

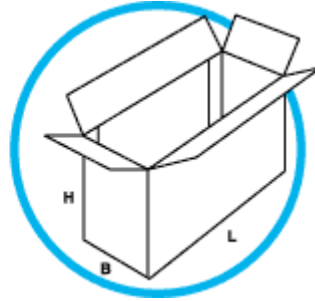
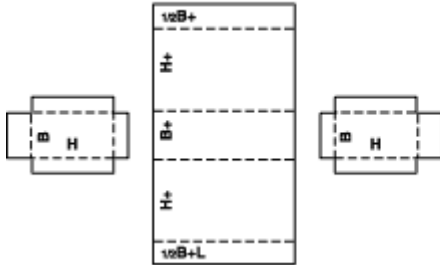


Category : 06

Rigid-type boxes consist of two separate end pieces and a body and require stitching or a similar operation before they can be used.

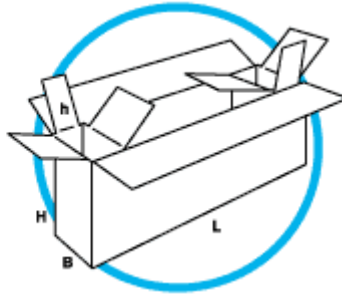
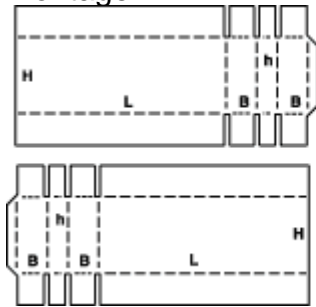
Description : 0620

Montage : A



Description : 0621

Montage : M

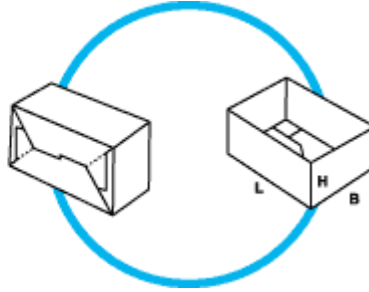
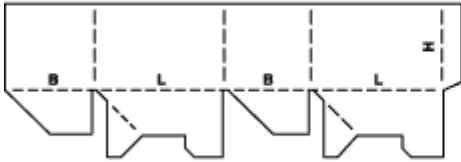


Category : 07

dy-glued cases consist of basically one piece, are shipped flat and ready to use by simple setting up.

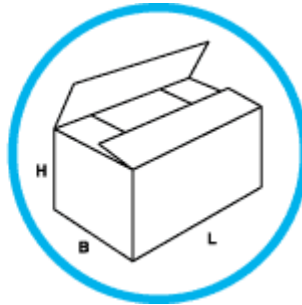
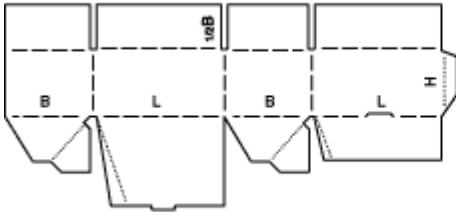
Description : 0700

Montage : M



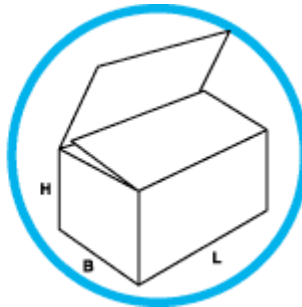
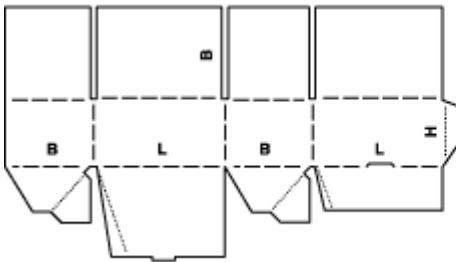
Description : 0701

Montage : M



Description : 0703

Montage : M

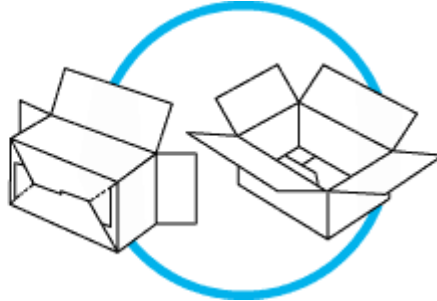
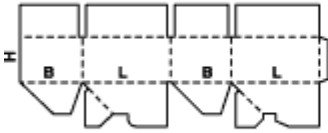


Category : 07

dy-glued cases consist of basically one piece, are shipped flat and ready to use by simple setting up.

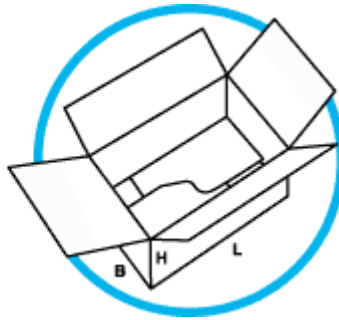
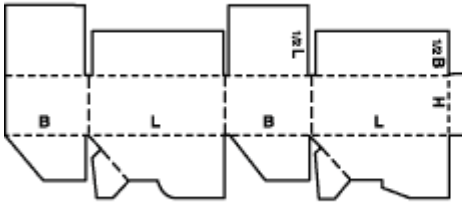
Description : 0711

Montage : M



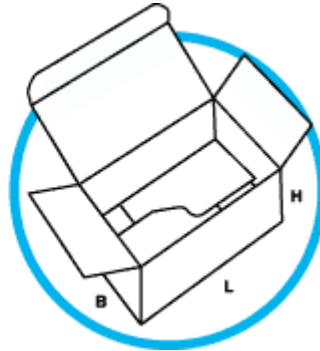
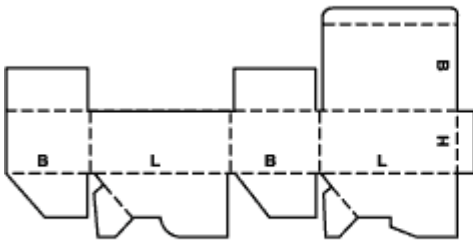
Description : 0712

Montage : M



Description : 0713

Montage : M

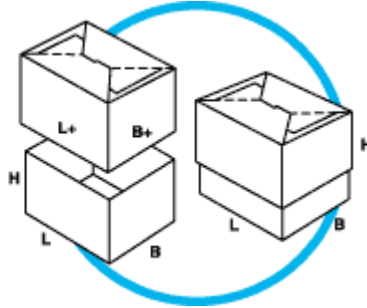
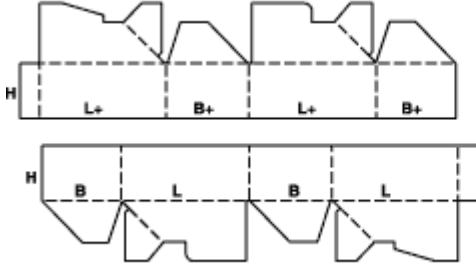


Category : 07

dy-glued cases consist of basically one piece, are shipped flat and ready to use by simple setting up.

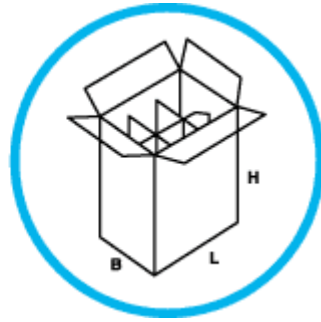
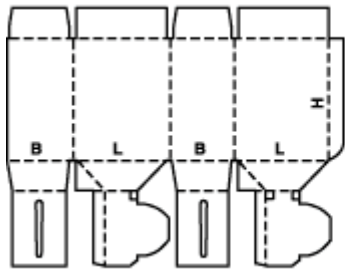
Description : 0714

Montage : M



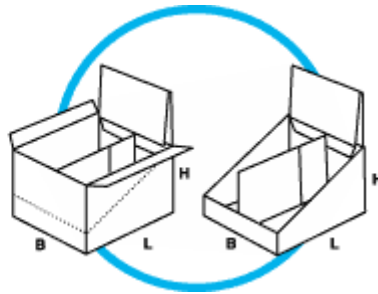
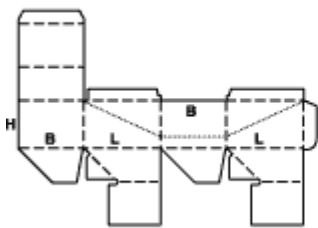
Description : 0715

Montage : M



Description : 0716

Montage : M

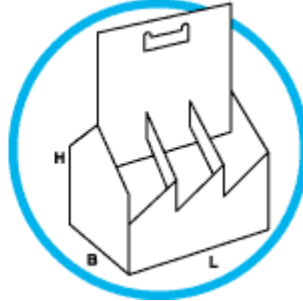
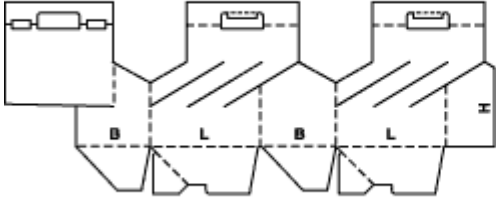


Category : 07

dy-glued cases consist of basically one piece, are shipped flat and ready to use by simple setting up.

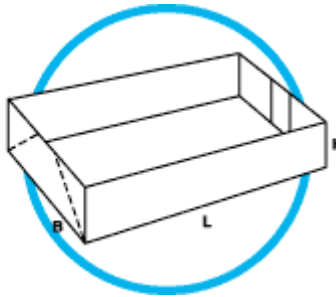
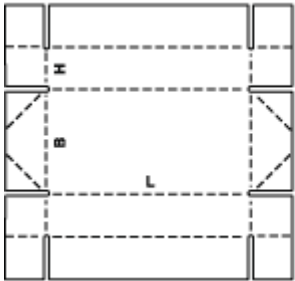
Description : 0717

Montage : M



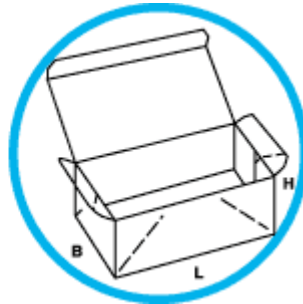
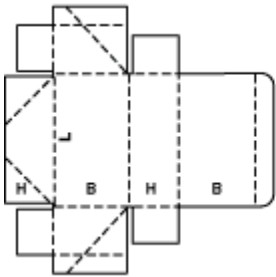
Description : 0718

Montage : M



Description : 0747

Montage : M

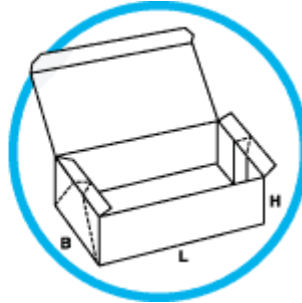
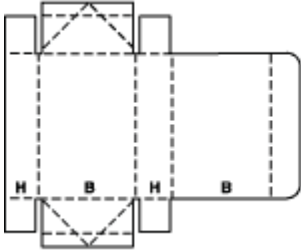


Category : 07

dy-glued cases consist of basically one piece, are shipped flat and ready to use by simple setting up.

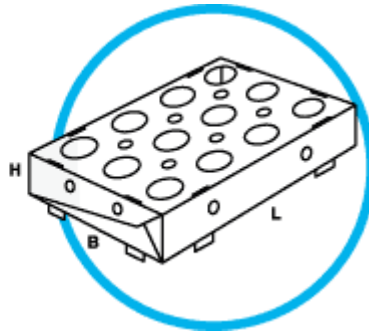
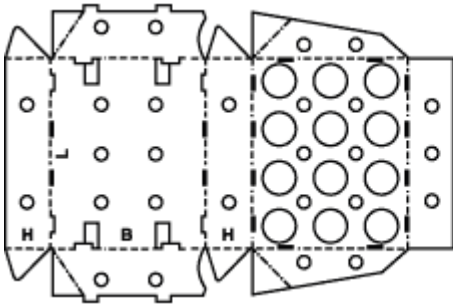
Description : 0748

Montage : M



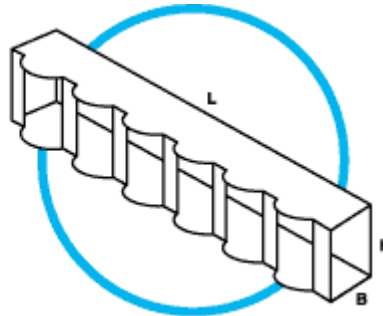
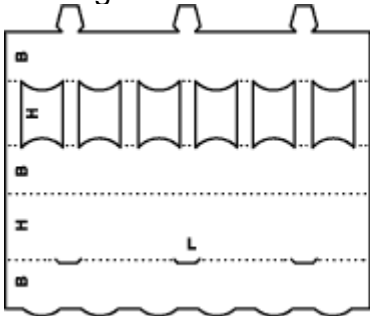
Description : 0751

Montage : M



Description : 0752

Montage : M/A

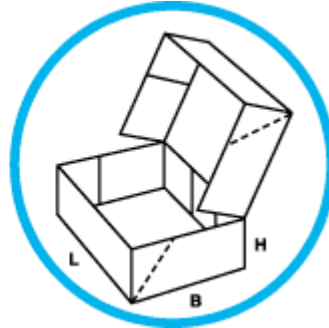
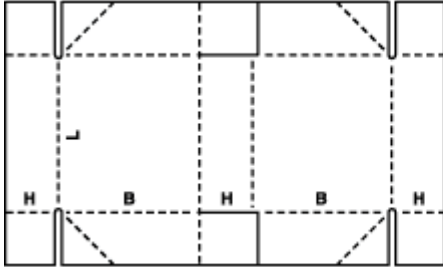


Category : 07

dy-glued cases consist of basically one piece, are shipped flat and ready to use by simple setting up.

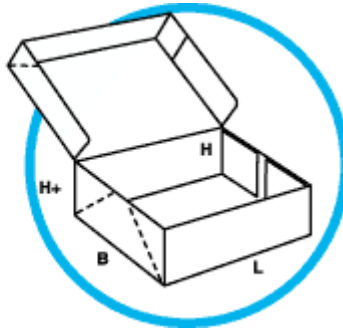
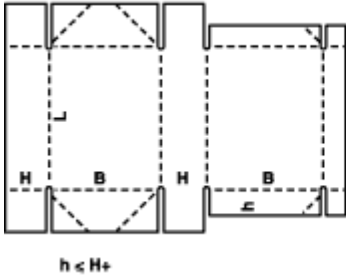
Description : 0759

Montage : M



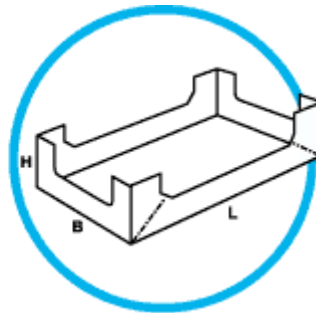
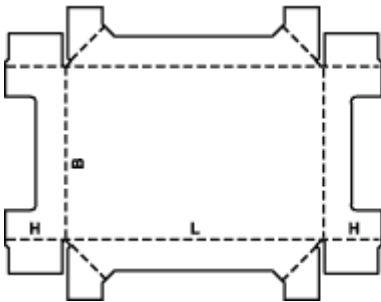
Description : 0761

Montage : M



Description : 0770

Montage : M

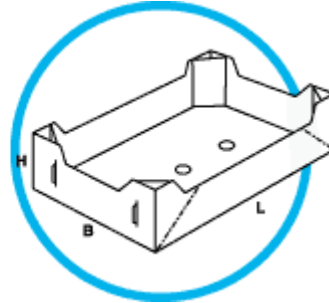
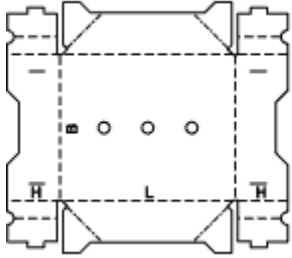


Category : 07

dy-glued cases consist of basically one piece, are shipped flat and ready to use by simple setting up.

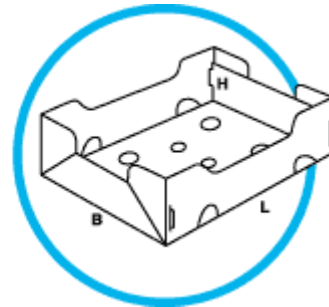
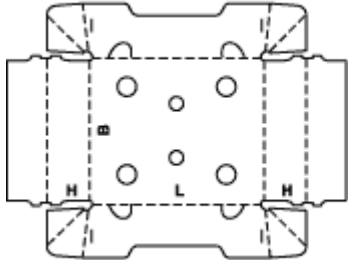
Description : 0771

Montage : M



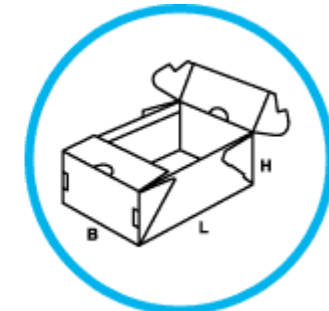
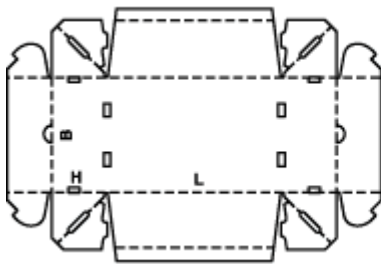
Description : 0772

Montage : M



Description : 0773

Montage : M

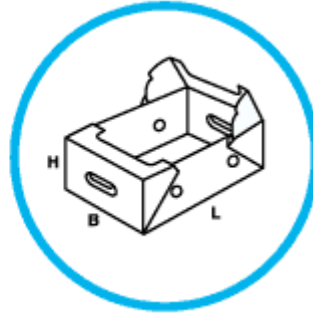
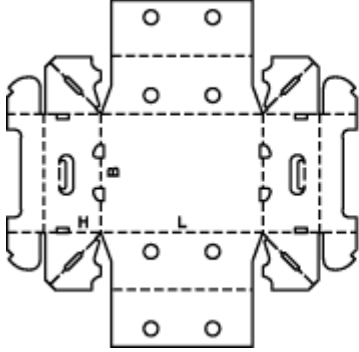


Category : 07

dy-glued cases consist of basically one piece, are shipped flat and ready to use by simple setting up.

Description : 0774

Montage : M



Category : 09

Interior fitments such as inside liners, pads, partitions, dividers etc, whether tied to Case Design or as singular items. Any shown number of panels is arbitrary and may be increased or decreased as required.

Coding of interior fitments

The following range of interior fitments is coded depending on the number of panels used, in any combination of shapes (for computer systems).

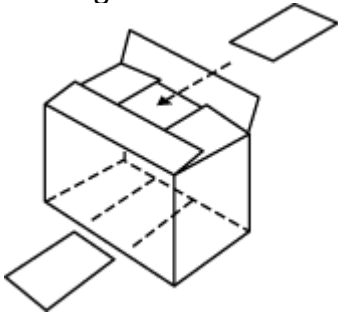


Number of panels	2	3	4	5	6	7	8	09	10
Code	0982	0983	0984	0985	0986	0987	0988	0989	0990
Number of panels	11	12	13	14	15	16	17	18	19
Code	0991	0992	0993	0994	0995	0996	0997	0998	0999

0982/0999
M

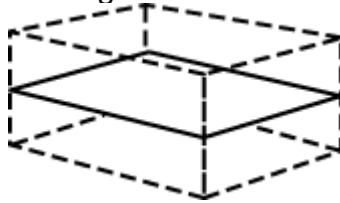
Description : 0900

Montage : M



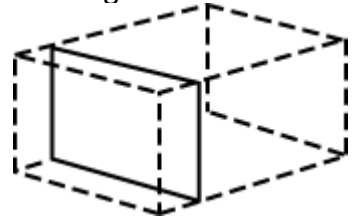
Description : 0901

Montage : M



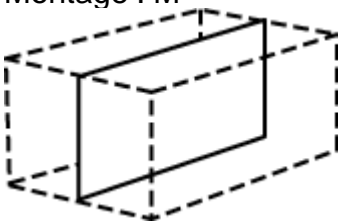
Description : 0902

Montage : M



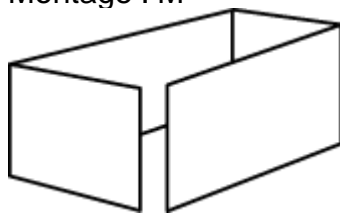
Description : 0903

Montage : M



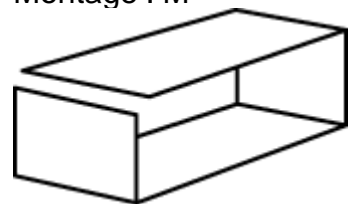
Description : 0904

Montage : M



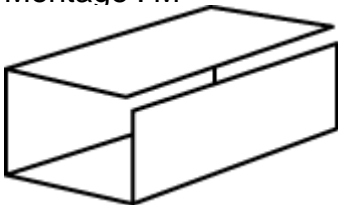
Description : 0905

Montage : M



Description : 0906

Montage : M



Category : 09

Interior fitments such as inside liners, pads, partitions, dividers etc, whether tied to Case Design or as singular items. Any shown number of panels is arbitrary and may be increased or decreased as required.

Coding of interior fitments

The following range of interior fitments is coded depending on the number of panels used, in any combination of shapes (for computer systems).

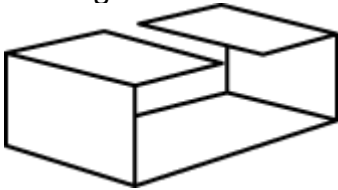


Number of panels	2	3	4	5	6	7	8	09	10
Code	0982	0983	0984	0985	0986	0987	0988	0989	0990
Number of panels	11	12	13	14	15	16	17	18	19
Code	0991	0992	0993	0994	0995	0996	0997	0998	0999

0982/0999
M

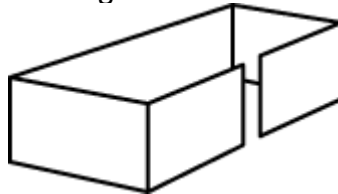
Description : 0907

Montage : M



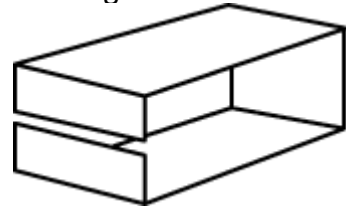
Description : 0908

Montage : M



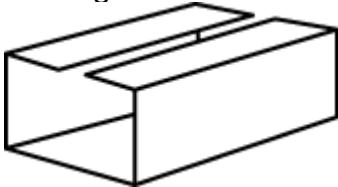
Description : 0909

Montage : M



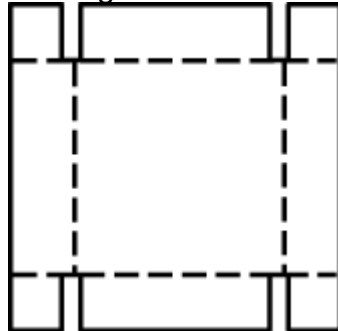
Description : 0910

Montage : M



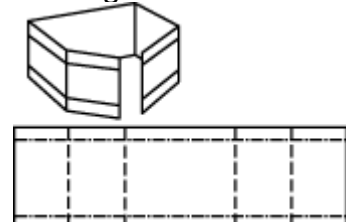
Description : 0911

Montage : M



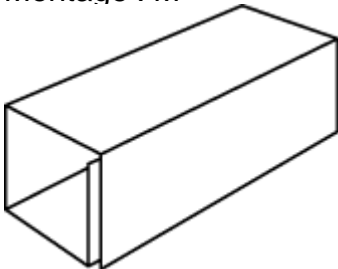
Description : 0913

Montage : M



Description : 0914

Montage : M



Category : 09

Interior fitments such as inside liners, pads, partitions, dividers etc, whether tied to Case Design or as singular items. Any shown number of panels is arbitrary and may be increased or decreased as required.

Coding of interior fitments

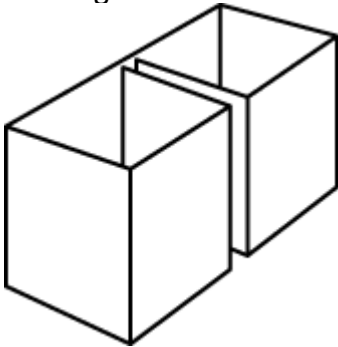
The following range of interior fitments is coded depending on the number of panels used, in any combination of shapes (for computer systems).



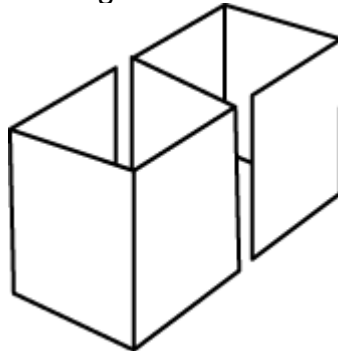
Number of panels	2	3	4	5	6	7	8	09	10
Code	0982	0983	0984	0985	0986	0987	0988	0989	0990
Number of panels	11	12	13	14	15	16	17	18	19
Code	0991	0992	0993	0994	0995	0996	0997	0998	0999

0982/0999
M

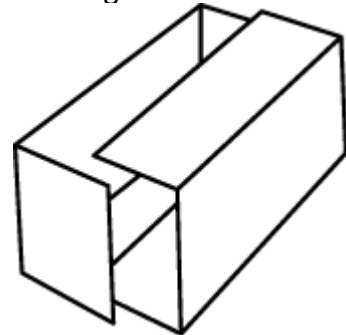
Description : 0920
Montage : M



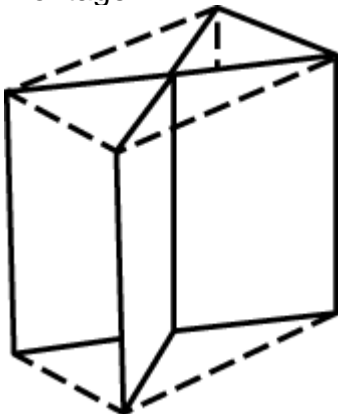
Description : 0921
Montage : M



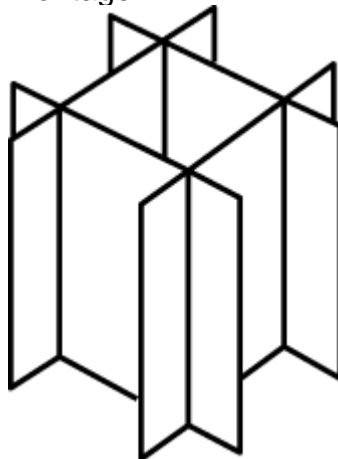
Description : 0929
Montage : M



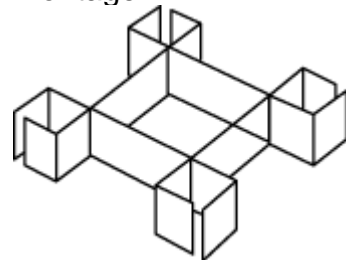
Description : 0930
Montage : M



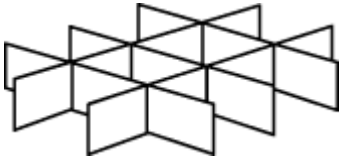
Description : 0931
Montage : M



Description : 0932
Montage : M



Description : 0933
Montage : M



Category : 09

Interior fitments such as inside liners, pads, partitions, dividers etc, whether tied to Case Design or as singular items. Any shown number of panels is arbitrary and may be increased or decreased as required.

Coding of interior fitments

The following range of interior fitments is coded depending on the number of panels used, in any combination of shapes (for computer systems).

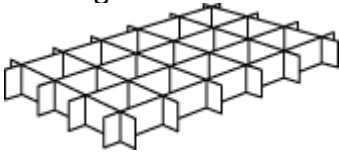


Number of panels	2	3	4	5	6	7	8	09	10
Code	0982	0983	0984	0985	0986	0987	0988	0989	0990
Number of panels	11	12	13	14	15	16	17	18	19
Code	0991	0992	0993	0994	0995	0996	0997	0998	0999

0982/0999
M

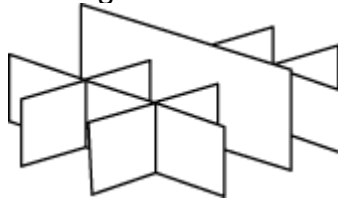
Description : 0934

Montage : M



Description : 0935

Montage : M



Description : 0940

Montage : M



Description : 0941

Montage : M



Description : 0942

Montage : M



Description : 0943

Montage : M



Description : 0944

Montage : M



Category : 09

Interior fitments such as inside liners, pads, partitions, dividers etc, whether tied to Case Design or as singular items. Any shown number of panels is arbitrary and may be increased or decreased as required.

Coding of interior fitments

The following range of interior fitments is coded depending on the number of panels used, in any combination of shapes (for computer systems).



Number of panels	2	3	4	5	6	7	8	09	10
Code	0982	0983	0984	0985	0986	0987	0988	0989	0990
Number of panels	11	12	13	14	15	16	17	18	19
Code	0991	0992	0993	0994	0995	0996	0997	0998	0999

0982/0999
M

Description : 0945

Montage : M



Description : 0946

Montage : M



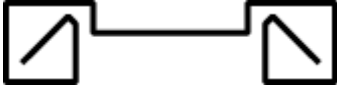
Description : 0947

Montage : M



Description : 0948

Montage : M



Description : 0949

Montage : M



Description : 0950

Montage : M



Description : 0951

Montage : M



Category : 09

Interior fitments such as inside liners, pads, partitions, dividers etc, whether tied to Case Design or as singular items. Any shown number of panels is arbitrary and may be increased or decreased as required.

Coding of interior fitments

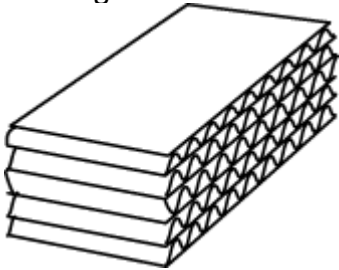
The following range of interior fitments is coded depending on the number of panels used, in any combination of shapes (for computer systems).



Number of panels	2	3	4	5	6	7	8	09	10
Code	0982	0983	0984	0985	0986	0987	0988	0989	0990
Number of panels	11	12	13	14	15	16	17	18	19
Code	0991	0992	0993	0994	0995	0996	0997	0998	0999

0982/0999
M

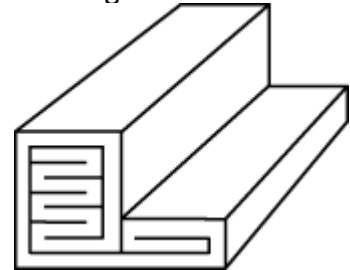
Description : 0965
Montage : M



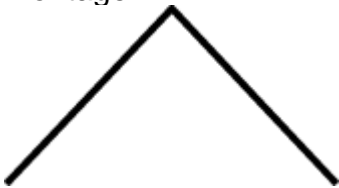
Description : 0966
Montage : M



Description : 0967
Montage : M



Description : 0970
Montage : M



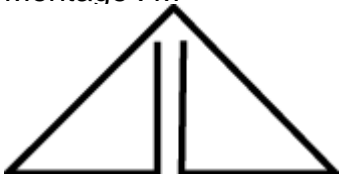
Description : 0971
Montage : M



Description : 0972
Montage : M



Description : 0973
Montage : M

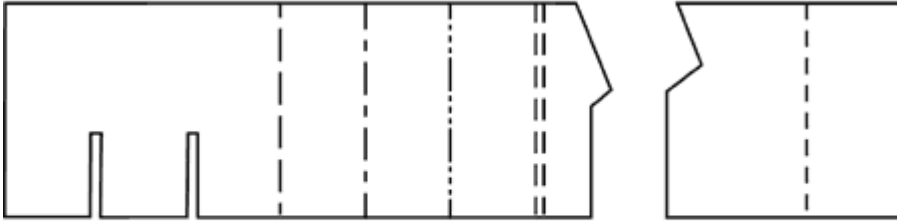


Category : 09

Interior fitments such as inside liners, pads, partitions, dividers etc, whether tied to Case Design or as singular items. Any shown number of panels is arbitrary and may be increased or decreased as required.

Coding of interior fitments

The following range of interior fitments is coded depending on the number of panels used, in any combination of shapes (for computer systems).



Number of panels	2	3	4	5	6	7	8	09	10
Code	0982	0983	0984	0985	0986	0987	0988	0989	0990
Number of panels	11	12	13	14	15	16	17	18	19
Code	0991	0992	0993	0994	0995	0996	0997	0998	0999

0982/0999
M

Description : 0974

Montage : M



Description : 0975

Montage : M



Description : 0976

Montage : M



The terms Box, Container and Case are interchangeable in the context of these descriptions.